

1988 Mazda 323 Wiring Diagram

FOREWORD

This wiring diagram incorporates the wiring schematic for the basic vehicle and its available optional equipment. Actual vehicle wiring may vary slightly depending upon optional equipment and/or local specifications. All information contained in this booklet is based on the latest information available at the time of printing. Mazda Motor Corporation reserves the right to make changes without previous notice.

**Mazda Motor Corporation
HIROSHIMA, JAPAN**

SECTION INDEX

Name	Section
■ HOW TO USE THIS WIRING DIAGRAM ■ SYMBOL IN THIS WIRING DIAGRAM	0
■ PARTS INDEX	PI
■ ELECTRICAL WIRING SCHEMATIC	W
■ CHARGING SYSTEM ■ STARTING SYSTEM ■ STARTER INTERLOCK SYSTEM ■ INHIBITOR	A
■ COOLING FAN SYSTEM ■ IGNITION SYSTEM ■ ENGINE & FUEL CONTROL SYSTEM ■ 4AT CONTROL SYSTEM	B
■ METER & WARNING LIGHTS	C
■ FRONT WIPER & WASHER ■ REAR WIPER & WASHER	D
■ ILLUMINATION LIGHT CONTROL SYSTEM ■ FRONT MARKER LIGHTS ■ HEADLIGHTS ■ LICENSE LIGHTS ■ PARKING LIGHTS ■ TAIL LIGHTS ■ REAR MARKER LIGHTS	E
■ BACK-UP LIGHTS ■ TURN & HAZARD FLASHER LIGHTS ■ HORN ■ STOP LIGHTS	F
■ AIR CONDITIONER & HEATER	G
■ CIGARETTE LIGHTER	H
■ DIGITAL CLOCK ■ REAR WINDOW DEFROSTER ■ COURTESY LIGHTS ■ DOOR LOCK CYLINDER LIGHT ■ IGNITION KEY CYLINDER LIGHT ■ INTERIOR & SPOT LIGHTS ■ LUGGAGE COMPARTMENT LIGHT ■ SEAT BELT WARNING SYSTEM	I J
■ POWER WINDOW	K
■ AUDIO SYSTEM	L
■ REMOTE CONTROL MIRROR	M
■ POWER DOOR LOCK	N
■ ADJUSTABLE SHOCK ABSORBER	O
■ CRUISE CONTROL SYSTEM	P
■ CENTER DIFFERENTIAL CONTROL SYSTEM	Q
■ COMMON CONNECTOR LIST	X
■ GROUND CIRCUIT	JC
■ JOINT BOX	JB
■ LIQUID CRYSTAL DISPLAY METER	—
■ PARTS LOCATION	PA

Wiring Diagram

SECTION INDEX

HOW TO USE THIS WIRING			
DIAGRAM	50:2	(O)	
SYMBOL IN THIS WIRING			
DIAGRAM	50:5	(O)	
PARTS INDEX	50:6	(PI)	
ELECTRICAL WIRING			
SCHEMATIC	50:8	(W)	
Except 4WD			
CHARGING SYSTEM	50:10	(A-1)	
STARTING SYSTEM	50:10	(A-1)	
STARTER INTERLOCK SYSTEM			
(For M/T)	50:10	(A-1)	
INHIBITOR (For 4AT)	50:10	(A-1)	
For 4WD			
CHARGING SYSTEM	50:12	(A-2)	
STARTING SYSTEM	50:12	(A-2)	
STARTER INTERLOCK SYSTEM	50:12	(A-2)	
For Turbo			
COOLING FAN SYSTEM	50:14	(B-1 a)	
IGNITION SYSTEM	50:14	(B-1 a)	
ENGINE & FUEL CONTROL			
SYSTEM	50:14	(B-1 a)	
ENGINE CONTROL SYSTEM	50:16	(B-1 b)	
For Turbo with 4WD			
COOLING FAN SYSTEM	50:18	(B-2 a)	
IGNITION SYSTEM	50:18	(B-2 a)	
ENGINE & FUEL CONTROL			
SYSTEM	50:18	(B-2 a)	
ENGINE CONTROL SYSTEM	50:20	(B-2 b)	
For Non-Turbo			
COOLING FAN SYSTEM	50:22	(B-3 a)	
IGNITION SYSTEM	50:22	(B-3 a)	
ENGINE & FUEL CONTROL			
SYSTEM	50:22	(B-3 a)	
4AT CONTROL SYSTEM	50:22	(B-3 a)	
ENGINE CONTROL SYSTEM	50:24	(B-3 b)	
METERS & WARNING LIGHTS	50:26	(C)	
FRONT WIPER & WASHER	50:28	(D)	
REAR WIPER & WASHER			
(3&5 Door)	50:28	(D)	
ILLUMINATION LIGHT CONTROL			
SYSTEM	50:30	(E-a)	
FRONT MARKER LIGHTS	50:32	(E-b)	
HEADLIGHTS	50:32	(E-b)	
LICENSE LIGHTS	50:32	(E-b)	
PARKING LIGHTS	50:32	(E-b)	
TAIL LIGHTS	50:32	(E-b)	
REAR MARKER LIGHTS	50:32	(E-b)	
BACK-UP LIGHTS	50:34	(F-a)	
TURN & HAZARD FLASHER			
LIGHTS	50:34	(F-a)	
HORN	50:36	(F-b)	
STOP LIGHTS	50:36	(F-b)	
AIR CONDITIONER & HEATER	50:38	(G)	
CIGARETTE LIGHTER	50:40	(H)	
DIGITAL CLOCK	50:42	(I)	
REAR WINDOW DEFROSTER	50:42	(I)	
COURTESY LIGHTS	50:44	(J)	
DOOR LOCK CYLINDER LIGHT	50:44	(J)	
IGNITION KEY CYLINDER LIGHT	50:44	(J)	
INTERIOR & SPOT LIGHTS	50:44	(J)	
LUGGAGE COMPARTMENT			
LIGHT	50:44	(J)	
SEAT BELT WARNING SYSTEM	50:44	(J)	
POWER WINDOW	50:46	(K)	
AUDIO SYSTEM	50:48	(L)	
REMOTE CONTROL MIRROR	50:50	(M)	
POWER DOOR LOCK	50:52	(N)	
ADJUSTABLE SHOCK			
ABSORBER	50:54	(O)	
CRUISE CONTROL SYSTEM	50:56	(P)	
CENTER DIF. CONTROL SYSTEM	50:60	(Q)	
COMMON CONNECTOR LIST	50:61	(X)	
GROUND CIRCUIT	50:62	(JC)	
INTER CONNECTING DIAGRAM OF			
JOINT BOX	50:62	(JB)	
JB CONNECTOR LOCATION	50:63	(JB)	
JOINT BOX	50:63	(JB)	
LIQUID CRYSTAL DISPLAY			
(ELECTRONIC) METER	50:64	(PA)	
PART LOCATION	50:65	(PA)	

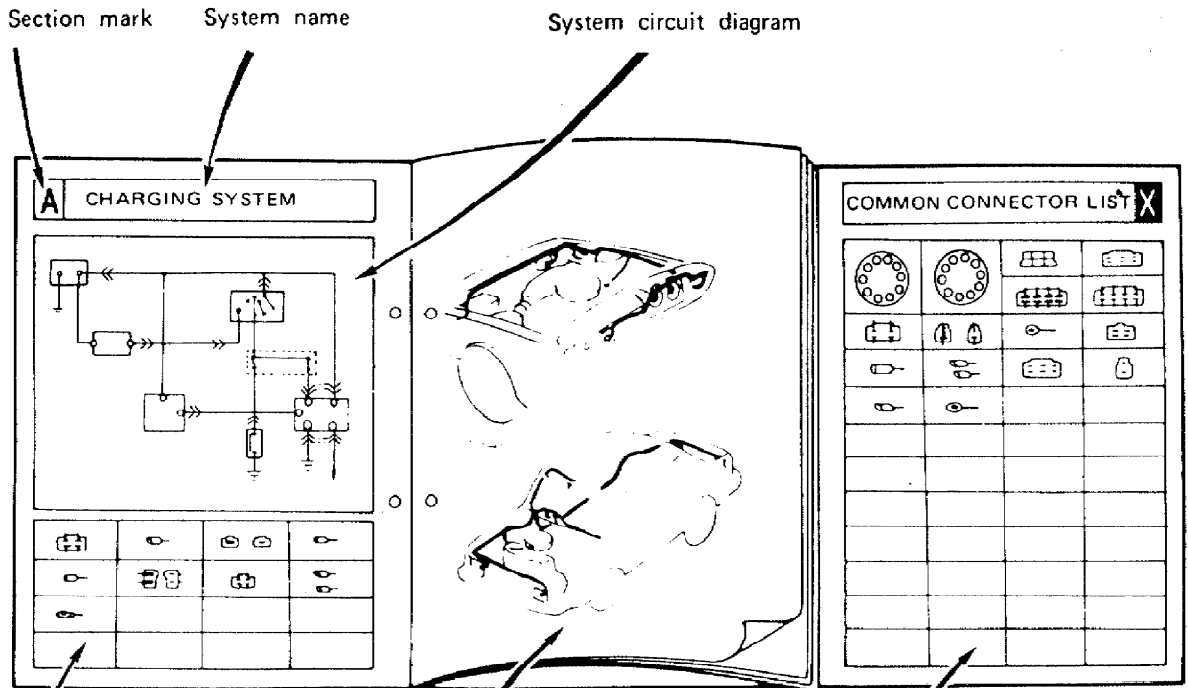
50-0 HOW TO USE THIS WIRING DIAGRAM

HOW TO USE THIS WIRING DIAGRAM

The complete electrical system is divided into charging system, ignition system, etc.

Each system is shown on both right and left pages as described below.

When reading the wiring diagram, following should be noted:

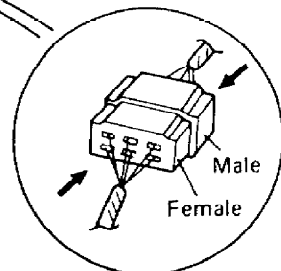
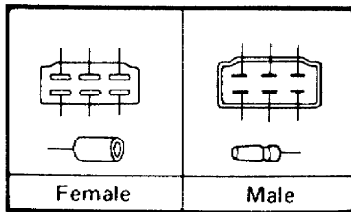


- Connector diagram identifies the exclusive applicable connectors for the circuit.

- Right page illustrates the actual location of each connector and the routing diagram of the harness.

- The last page, "Section X", illustrates common connectors related to each system.

CONNECTOR



Way to look at Connector

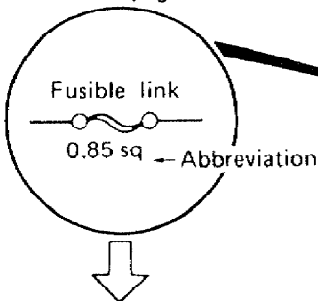
WIRING COLOR CODE

Wiring color code is indicated with alphabetical letter/s. The first letter indicates the basic color of the wire, and second letter (if any) indicates that the color of the stripe.

CODE	COLOR	CODE	COLOR
B	Black	Lg	Light green
Br	Brown	O	Orange
G	Green	R	Red
L	Blue	Y	Yellow
Lb	Light blue	W	White
LO	Blue Orange	WR	White Red
LgB	Light green Black		

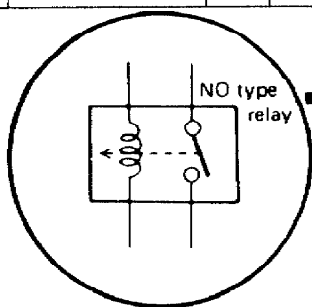
Wiring harness color is shown

The same fusible link and fuses are indicated on each page.

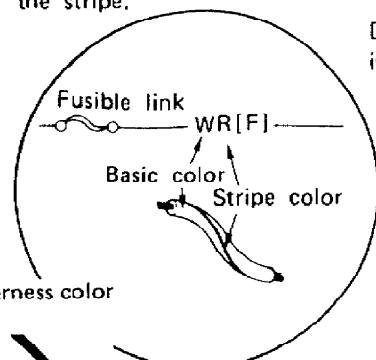


ABBREVIATIONS USED IN THIS BOOKLET

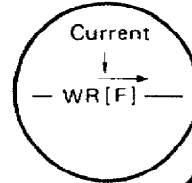
Abbr.	Term	Abbr.	Term
St	Start	A	Ampere
IG	Ignition	W	Watt
ACC	Accessory	R	Resistance
AS	Auto stop	Tr	Transistor
INT	Intermittent	M	Motor
Lo	Low	SW	Switch
Mi	Middle	Sq	Square per millimeter
Hi	High	A/T	Automatic transmission
R.H.	Right hand	M/T	Manual transmission
L.H.	Left hand	NO	Normal opened
F.R.	Front right	NC	Normal closed
F.L.	Front left	MH	Middle high
R.R.	Rear right		
R.L.	Rear left		
V	Volt		



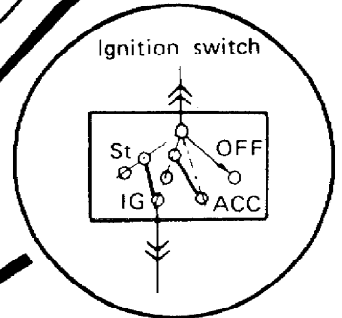
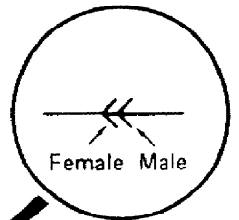
The relays and switches are identified as NC (normal closed), or NO (normal opened), to indicate their normal position when they are not in operation.



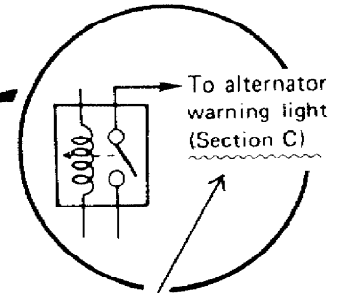
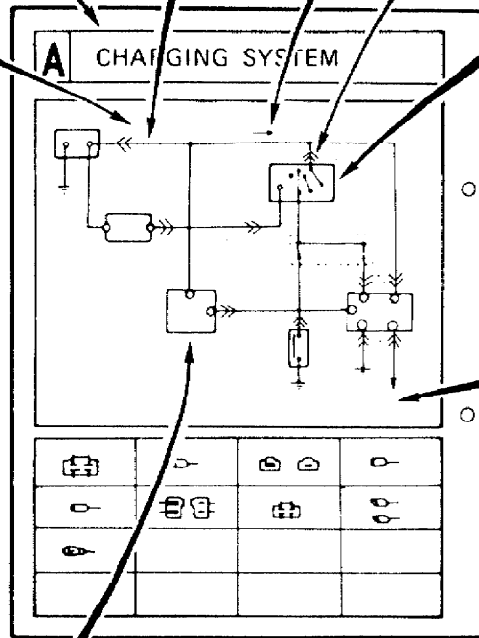
Direction of current is shown by the arrow



CONNECTOR



Circuit is shown with the ignition switch off.



Legend in the parenthesis () indicates the reference section.

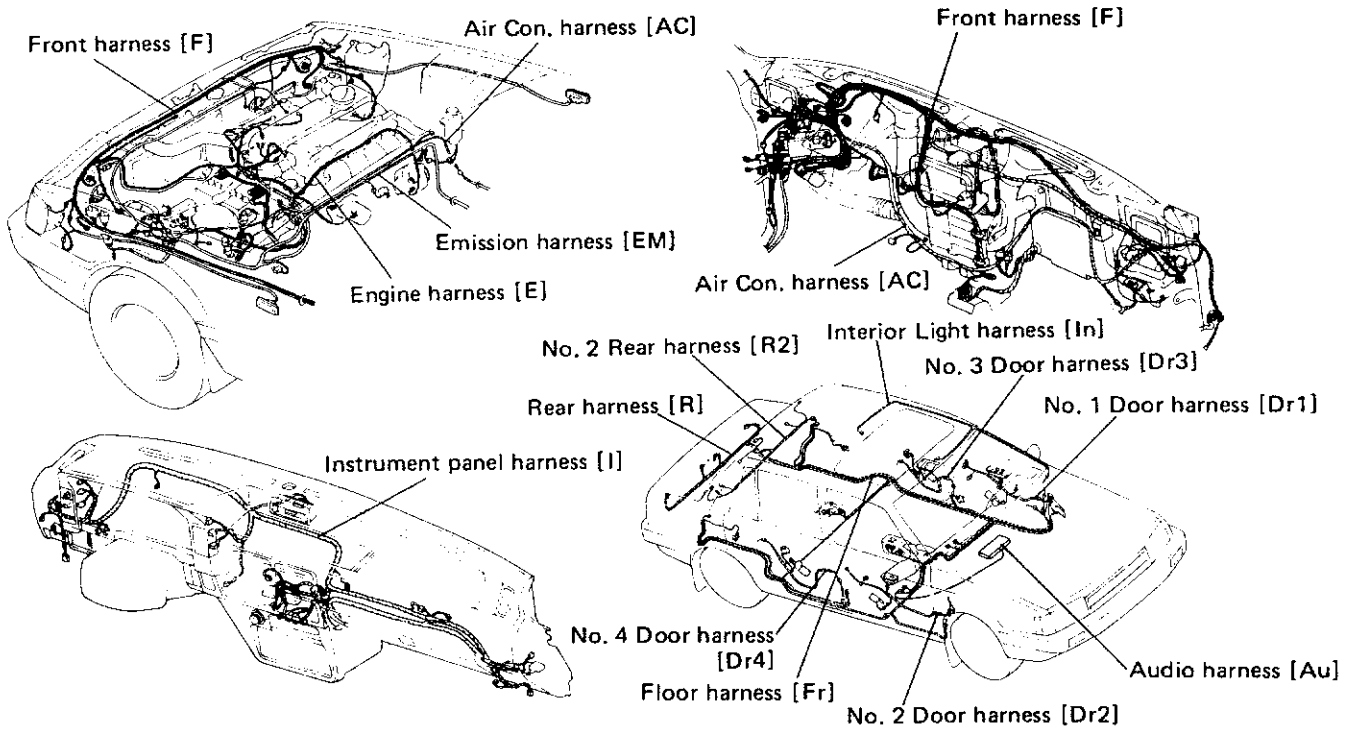
	Relay		Switch	
	NO type relay	NC type relay	NO switch	NC switch
Not in operation				
In operation				

50-0 HOW TO USE THIS WIRING DIAGRAM

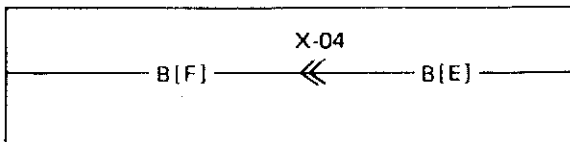
HARNESS SYMBOLS

Each harness is distinguished by a symbol to indicate to which harness belong a wiring and connector in circuit diagrams and connector charts.

DESCRIPTION OF HARNESS	COLOR	SYMBOL	DESCRIPTION OF HARNESS	SYMBOL
Front harness	—	[F]	No. 1 Door harness	[Dr1]
Engine harness	—	[E]	No. 2 Door harness	[Dr2]
Instrument panel harness		[I]	No. 3 Door harness	[Dr3]
Rear harness	—	[R]	No. 4 Door harness	[Dr4]
No. 2 Rear harness		[R2]	Audio harness	[Au]
Emission harness		[EM]	Air Con. harness	[AC]
Interior light harness		[In]		
Floor harness		[Fr]		

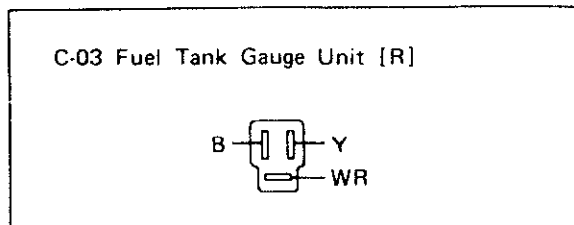


EXAMPLE OF CIRCUIT DIAGRAM



- It is seen from the above that the male-side black line of the X-04 shows the engine harness and the female-side black line shows the front harness.
- It is seen from the above that the X-04 connector is a connector connecting the engine and the front.

EXAMPLE OF CONNECTOR


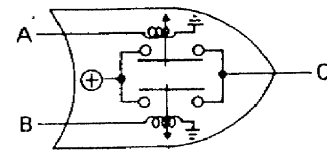
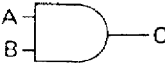
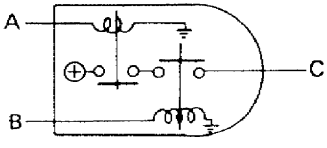

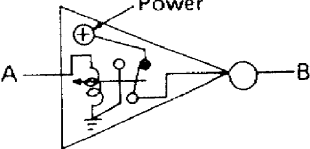
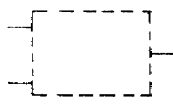
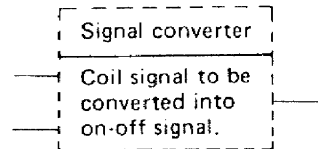


- It is seen from the above that this connector (C-03) is on the Rear harness.

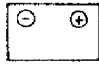
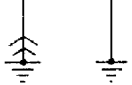



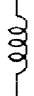

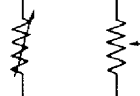


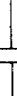
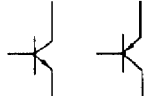
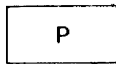

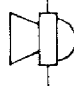
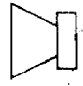

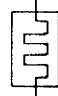
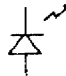

SYMBOLS IN THIS WIRING DIAGRAM

LOGICAL SYMBOLS

The logical symbols are of four kinds: OR, AND, INV. (Inverter), PROCESS.
The circuit operation can be easily read by understanding these symbols.

<p>OR</p> 	<p>In case of input to either A or B, an output comes out from C. When A and B are off (0V), C is off (0V). When either A or B is on (12V), C is on (12V). This can be simply shown in the relay circuit on the right-hand side.</p>	
<p>AND</p> 	<p>In case of input to both A and B, an output comes out from C. When A and B are on (12V), C is on (12V). When either A or B is off (0V), C is off (0V). This can be simply shown in the relay circuit on the right-hand side.</p>	
<p>INV. (Inverter)</p> 	<p>In case of input to A, B is grounded. When A is off (0V), B is on (12V). When A is on (12V), B is off (0V). This can be simply shown in the relay circuit on the right-hand side.</p>	
	<p>PROCESS makes a simplified representation of complicated functions of the circuit. Functions mainly used: 1. Detection of signals 2. Conversion of signals The process of the full transistor ignition control unit is as shown in the right-hand figure.</p>	

GRAPHIC SYMBOLS

				
Battery	Ground	Fuse	Fusible link	Motor
				
Coil solenoid	Resistance	Variabel resistance	Thermister	Diode
				
Condenser	Transistor	Pump	Lamp	Horn
				
Speaker	Cigar lighter	Heater	Illuminated Diode	Zener Diode

PI PARTS INDEX

Parts	Section	Parts	Section
(A) Adjustable Damper Actuator	O	Combination Switch	
Actuator Solenoid Valve	P-1, 2	License Light L.H., R.H.	E-b
Adjustable Damper Actuator	O	Meter Illumi.	C, E-a
Adjustable Damper Switch	O	Parking Light L.H., R.H.	E-b
A/C. Relay No. 1, No. 2	G	Tail Light L.H., R.H.	E-b
A/C. Switch	G	Radio Illumi.	E-a, L
Air Flow Meter	B-1b, 2b, 3b	Rear Marker Light L.H., R.H.	E-b
Alternator With Regulator	A-1, 2	Rear Turn Light L.H., R.H.	F-a
AM, FM Electronic Tuner	L	Condenser	B-1a, 2a, 3a
Atmospheric Pressure Sensor	B-1b, 2b, 3a	Condenser Fan Motor	G
		Cooling Fan Motor	B-1a, 2a, 3a
		Cooling Fan Relay	B-1a, 2a, 3a
		Courtesy Light L.H., R.H.	J
		Cruise Control Unit	P
(B) Back-Up Light	F-a		
Back-Up Light Switch	F-a	(D) Din Cord	L
Battery	A ~ P	Diode	B-3a
Blower Motor	G	Digital Clock	I
Blower Motor Control Switch	G	Distributor	B-1a, 2a, 3a
Brake Fluid Level Switch	C	Door Handle Switch	J
Buckle Switch	J	Door Lock Cylinder Light	J
Buzzer	C, J	Door Switch	J
		(E) Electrical Load Control Unit	B-1b, 2b, 3b
		Engine Control Unit	B-1a, 1b, 2a, 2b, 3a, 3b
		Entry Illumi. Timer	J
(C) Cassette Deck	L	(F) Front Speaker L.H., R.H.	L
Check Connector	B-b	Front Wiper & Washer Motor	D
Check Relay	C	Fuel Meter	C
Cigarette Lighter	H	Fuel Pump	B-1a, 2a, 3a
Circuit Opening Relay	B-1a, 2a, 3a	Fuel Pump Control Unit	B-2a
Cluster Switch L.H.		Fuel Tank Unit	B-2a
Rear Window Defroster Switch	I		
Rear Wiper & Washer Switch	D	(H) High Mounted Stop Light	E-b
Cluster Switch R.H.		Horn L.H., R.H.	F-b
Cruise Control Main Switch	P	Horn Relay	F-b
Panel Light Control Switch	E-a		
Clutch Switch	B-1b, 2b, 3b, P	(I) Igniter	B-1a, 2a, 3a
Combination Switch		Ignition Coil	B-1a, 2a, 3a
Adjustable Damper Illumi.	E-a, O	Ignition Key Illumi.	J
A/C. Switch Illumi.	E-a, G-a, G-b	Ignition Key Reminder Switch	J
A/T Select Illumi.	E-a	Ignition Relay	G, JB
Center Dif-Lock Illumi.	E-a	Ignition Switch	A ~ P
Cigarette lighter Illumi.	E-a	Indicator & Warning Lights	
Cluster Illumi. L.H., R.H.	E-a	Brake	C
Cruise Main Switch Illumi.	E-a, P	Charge (Alternator)	C
Flasher Unit	F-a	Fuel	C
Front Marker Light L.H., R.H.	E-b	High Beam	C
Front Turn Light L.H., R.H.	F-a	Oil Pressure	C
Front Washer Switch	D	Rear Window Defroster	C
Front Wiper Switch	D	Seat Belt	C
Headlight L.H., R.H.	E-b	Stop Light	C
Heater Illumi.	E-a		
Horn Switch	F-b		

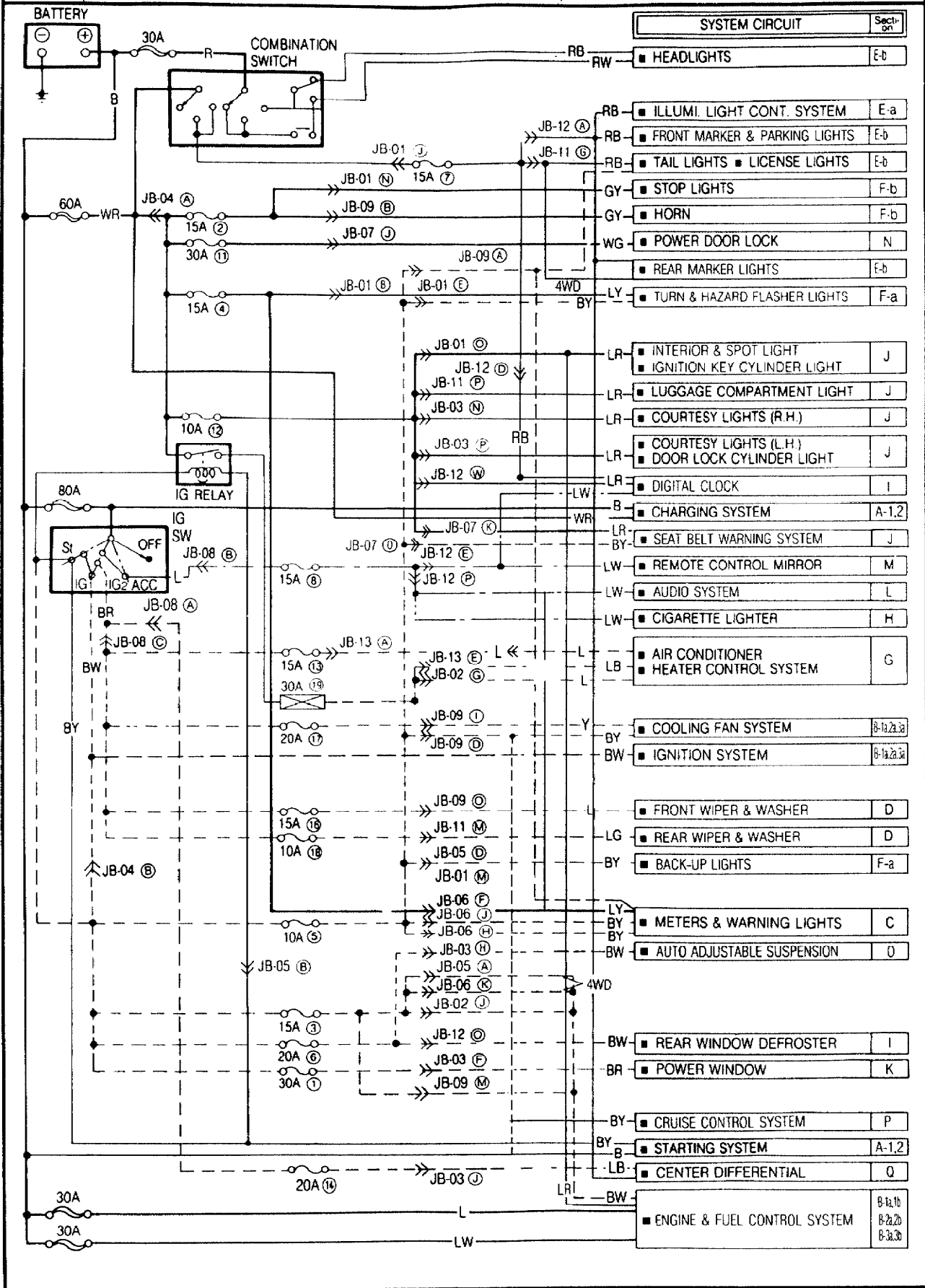
PARTS INDEX

PI

Parts	Section	Parts	Section
Turn L.H., R.H.	C	Rear Washer Motor	D
Washer Level	C	Rear Wiper Motor	D
Inhibitor Switch	A-1	Rear Window Defroster	I
Injector No. 1, No. 2, No. 3, No. 4	B-1a, 2a, 3a	Refrigerant Pressure Switch (With Air Con.)	G
Interior & Spot Light	J	Remote Control Mirror Motor	M
Ⓝ Joint Connector	B-1a, 2a, 3a	Remote Control Mirror Switch	M
Ⓚ Kick-down Switch (For 4AT)	B-3a	Resistor	G
Knock Controller	B-1a, 2a	Ⓢ Seat Belt Timer & Buzzer	J
Knock Sensor	B-1a, 2a	Sliding Sunroof	H
Ⓛ Luggage Compartment Light	J	Sliding Sunroof Relay No. 1, No. 2	H
Luggage Compartment Light Switch	J	Sliding Sunroof Switch	H
Ⓜ Main Fuse	A ~ P	Speed Sensor	C, P
Main Relay	B-1a, 2a, 3a,	Solenoid Valve	
Magnet Clutch (A/C.)	G	For No.1 Purge Control Valve	B-1 b, 2b, 3a
Ⓝ Neutral Switch	B-1b, 2b, 3b	For Vacuum Switch Valve	B-1 b, 2b, 3a
Ⓞ O/D Switch	B-3a	I.S.C.	B-1b, 2b, 3b
Oil Pressure Switch	C	Kick Down	B-3a
Oscillator	C	P.R.C.	B-1b, 2b, 3b
Oxygen Sensor	B-1b, 2b, 3b	O/D	B-3a
Ⓟ Parking Brake Switch	C	Starter Interlock Sw	A-1, 2
Power Door Lock Motor	N	Starting Motor	A-1, 2
Power Door Lock Relay	N	Stop Light	F-b
Power Door Lock Switch	N	Stop Light Checker	F-b
Power Steering Pressure Switch	B-1b, 2b, 3b	Stop Light Switch	F-b
Power Steering Solenoid Valve	B-a, B-b	Stop Switch	F-b, P
Power Window Motor	K	Ⓣ Tachometer	C
Power Window Switch	K	Test Connector	B-1b, 2b, 3b
Pressure Sw	B-1b, 2b	Throttle Sensor	B-1b, 2b, 3b
Ⓡ Rear Amp.	L	Transfer Pump	B-2a
Rear Speaker L.H., R.H.	L	Ⓦ Washer Fluid Low Level Switch	C
Rear Speaker Cord	L	Water Thermo Switch	B-1a, 1b, 2a, 2b, 3a, 3b, C
		Water Thermo Sensor	B-1b, 2b, 3b

W ELECTRICAL WIRING SCHEMATIC

— Current From Battery
 - - - Current From IG Terminal of Ignition Switch
 - · - Current From ACC Terminal of Ignition Switch
 — Others

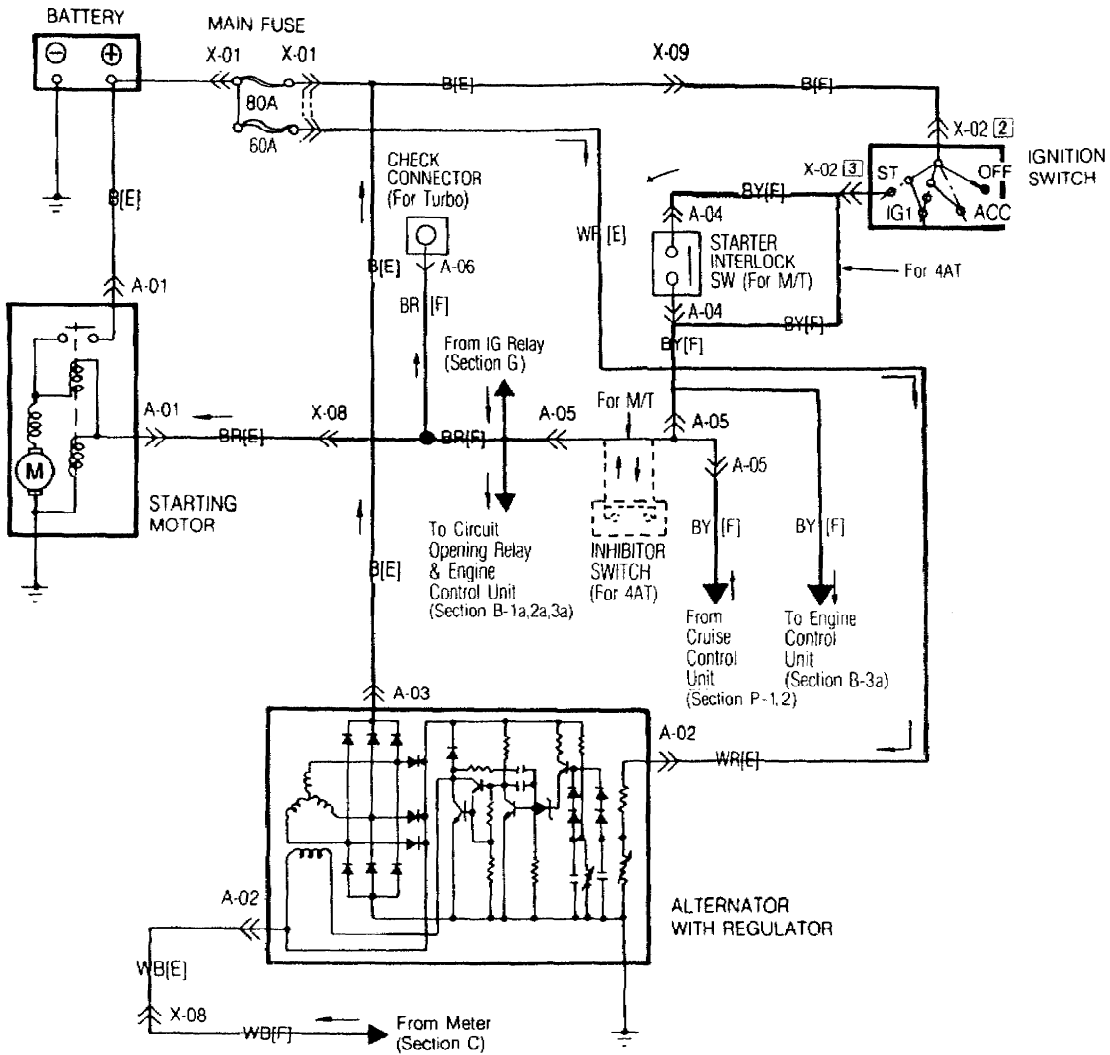





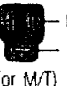
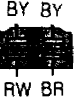


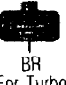
A-1

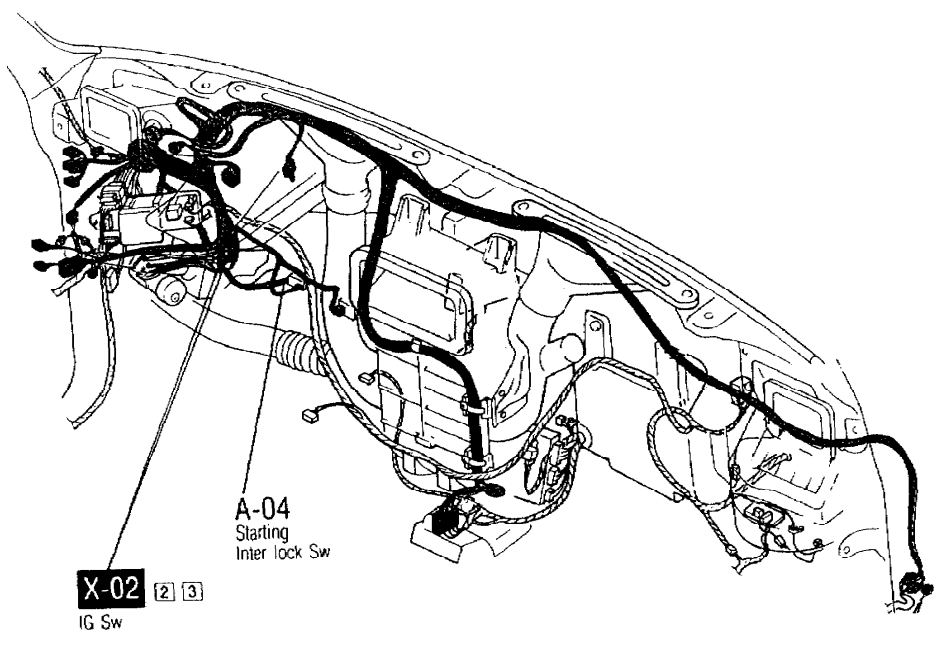
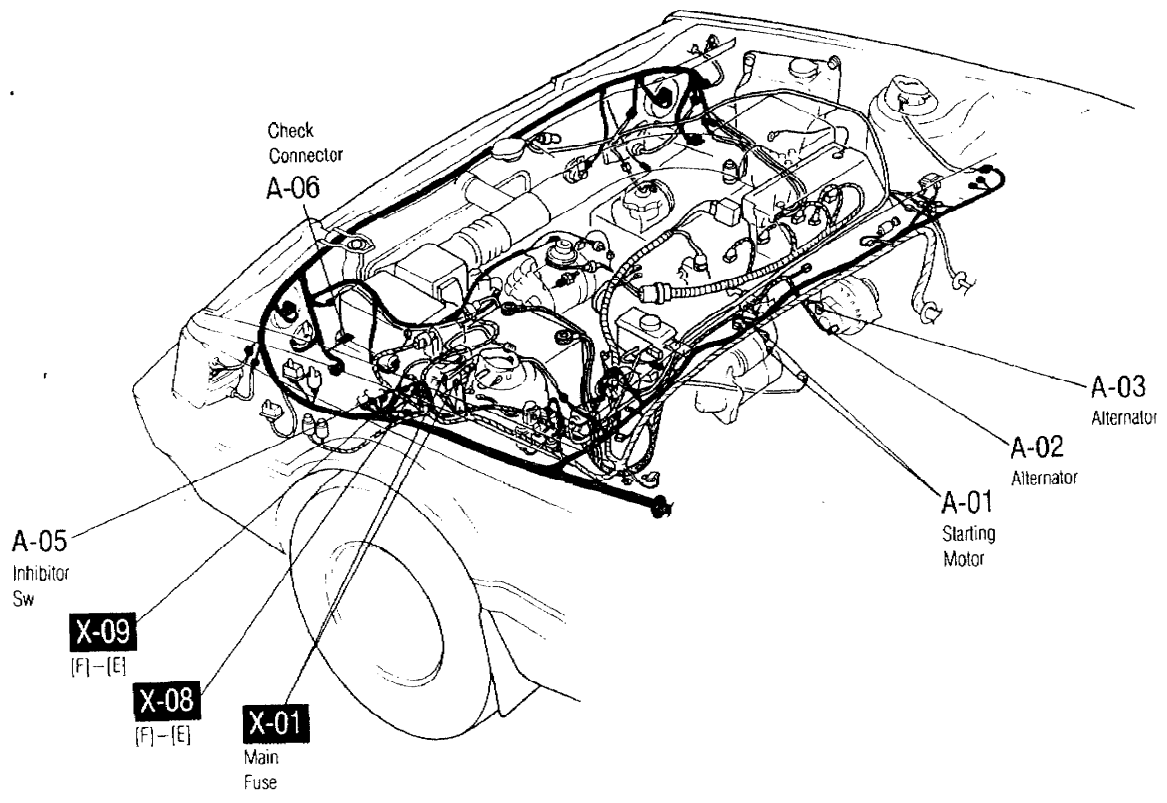
Except 4WD

- CHARGING SYSTEM ■ STARTING SYSTEM
- STARTER INTERLOCK SYSTEM (M/T) ■ INHIBITOR (4AT)

Note:
× ... Not Used



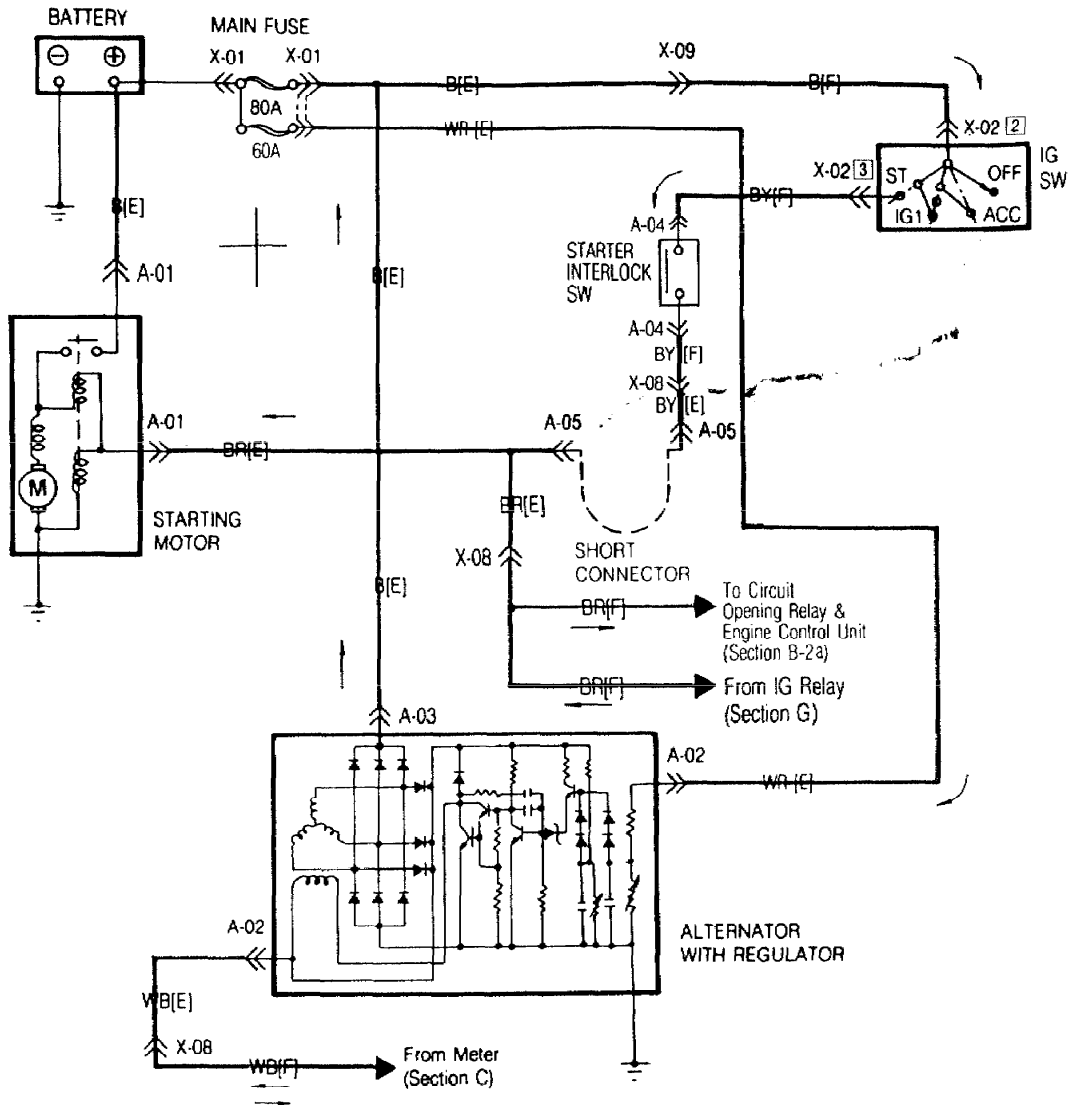
<p>A-01 Starting Motor [E]</p>  <p>BR</p>	<p>A-02 Alternator With Regulator [E]</p>  <p>WR WB</p>	<p>A-03 Alternator With Regulator [E]</p>  <p>B</p>	<p>A-04 Starter Interlock Sw [F]</p>  <p>BY — BG * (For M/T)</p>
<p>A-05 Inhibitor Sw [F]</p>  <p>BY BY RW BR</p>  <p>(For M/T)</p>  <p>BY (For 4AT)</p>	<p>A-06 Check Connector [F]</p>  <p>BR (For Turbo)</p>		









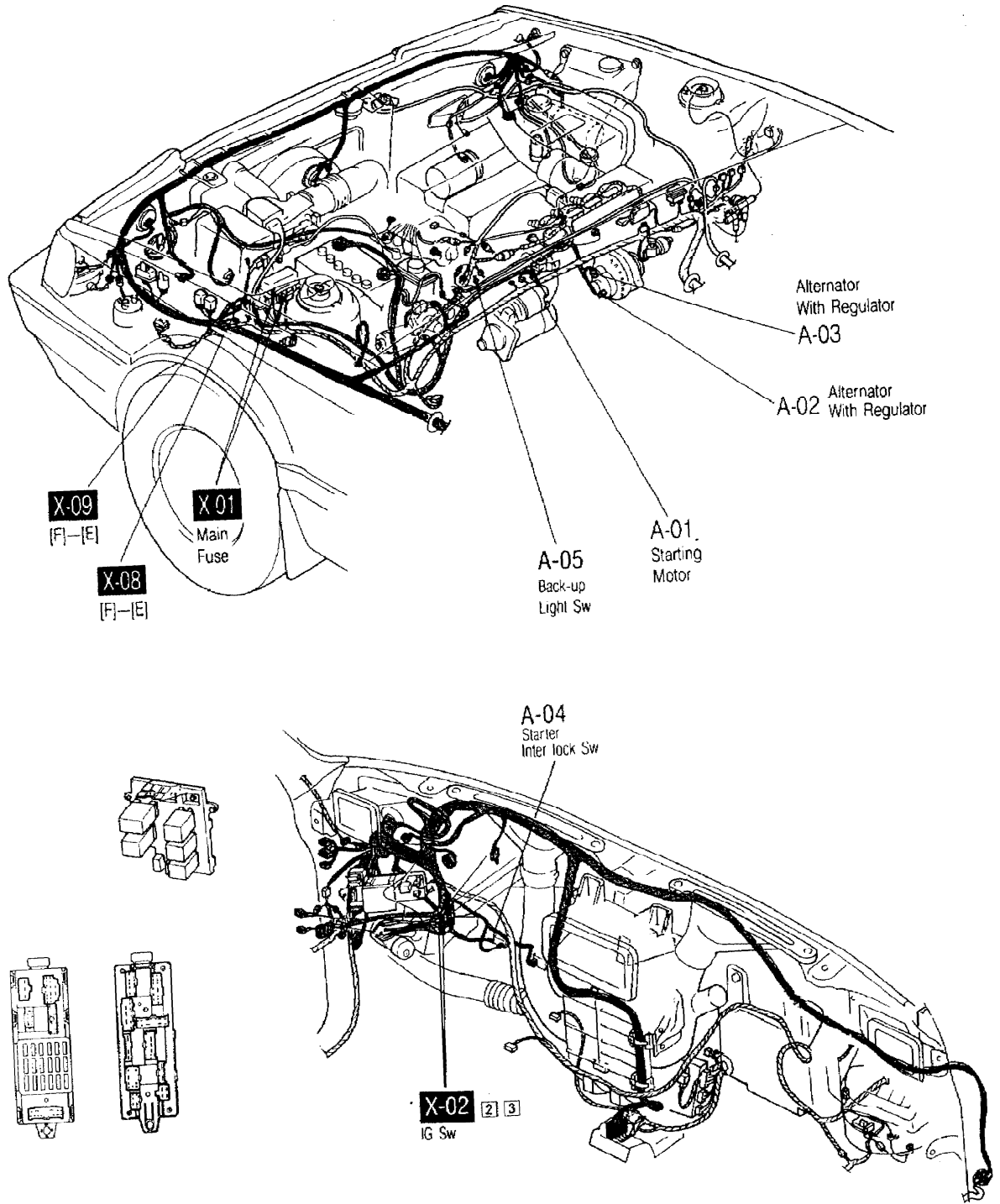
A-2

For 4WD
 ■ CHARGING SYSTEM ■ STARTING SYSTEM
 ■ STARTER INTERLOCK SYSTEM

Note:
 * ... Not Used



<p>A-01 Starting Motor [E]</p>  <p>BR</p>	<p>A-02 Alternator With Regulator [E]</p>  <p>WR WB</p>	<p>A-03 Alternator With Regulator [E]</p>  <p>B</p>	<p>A-04 Starter Interlock Sw [F]</p>  <p>BY — BG *</p>
<p>A-05 Back-Up Light Sw [E]</p>  <p>BY BY [E] RW BR</p>	<p>Short Connector</p> 		

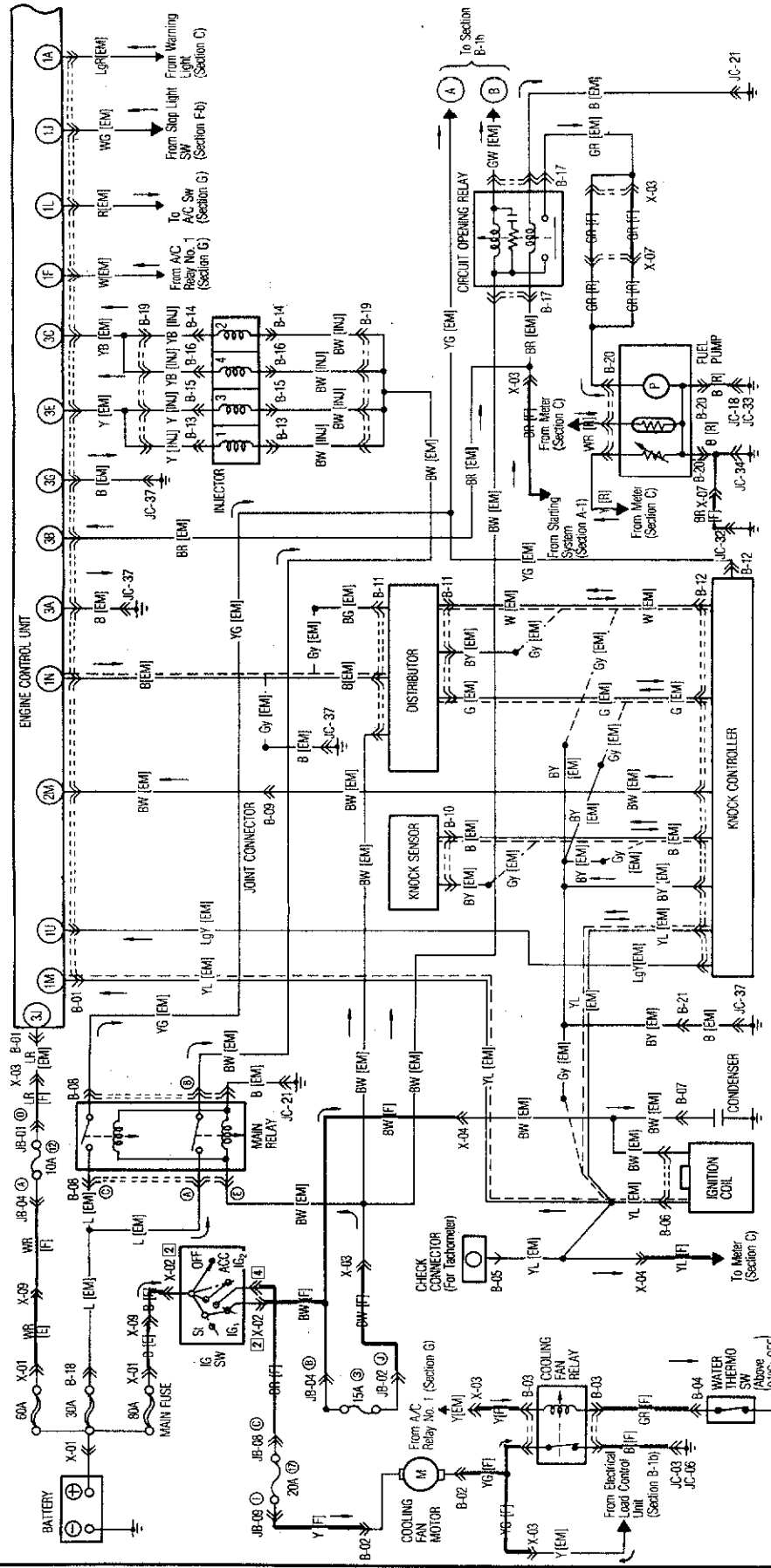


IGNITION SYSTEM ■ ENGINE & FUEL CONTROL SYSTEM ■ COOLING FAN SYSTEM

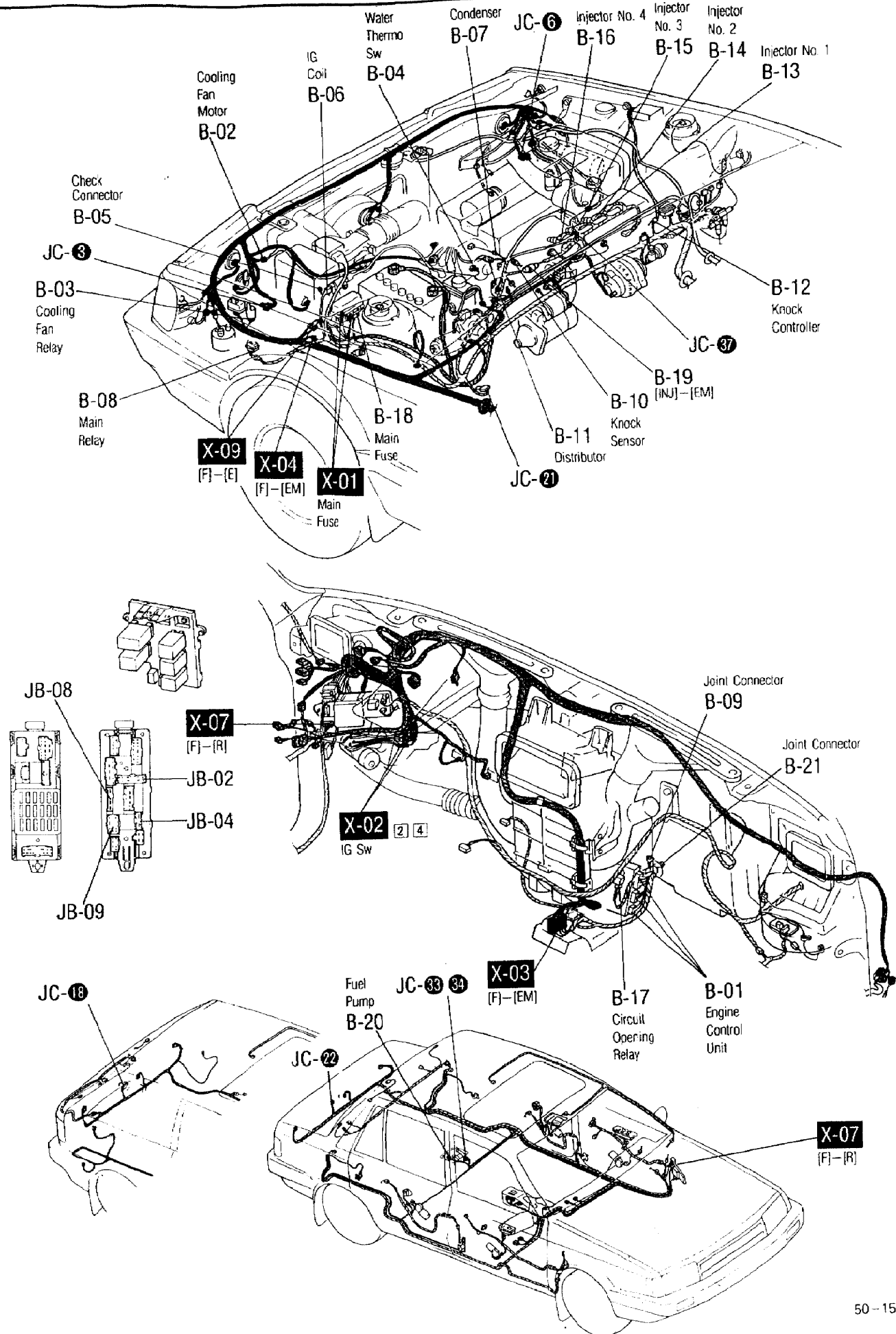
For Turbo

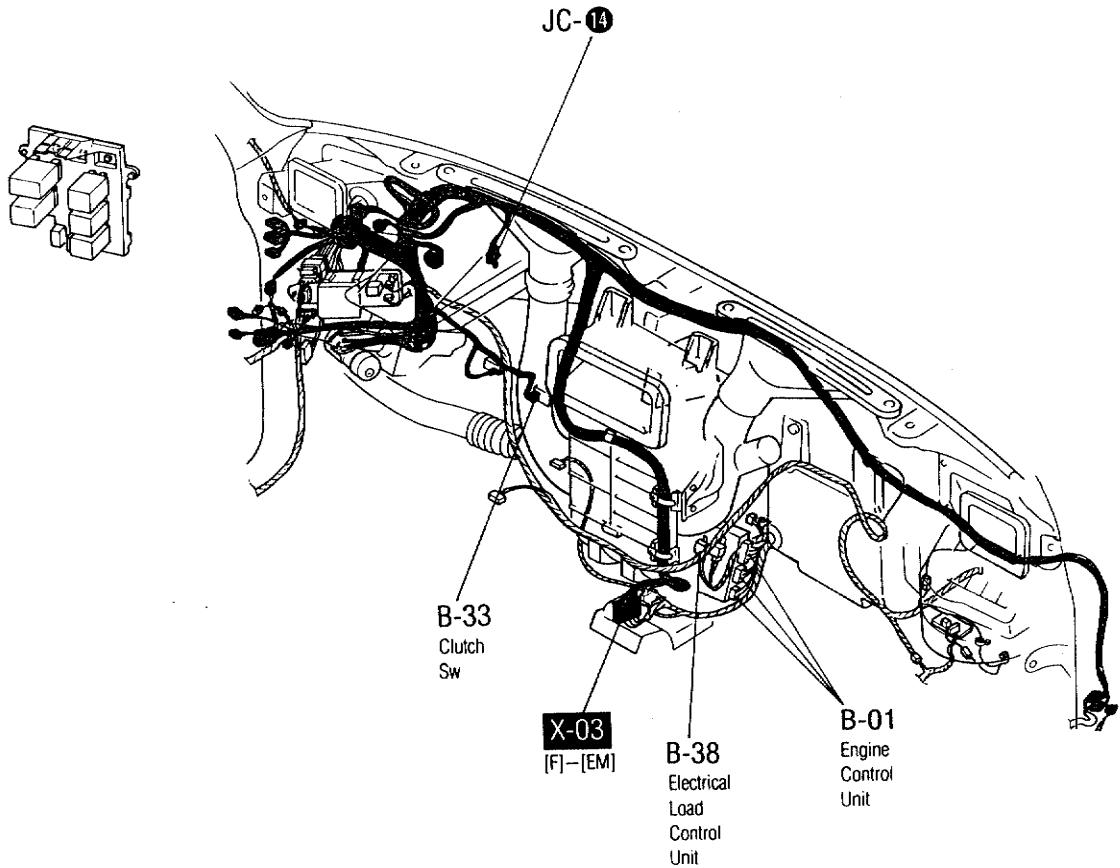
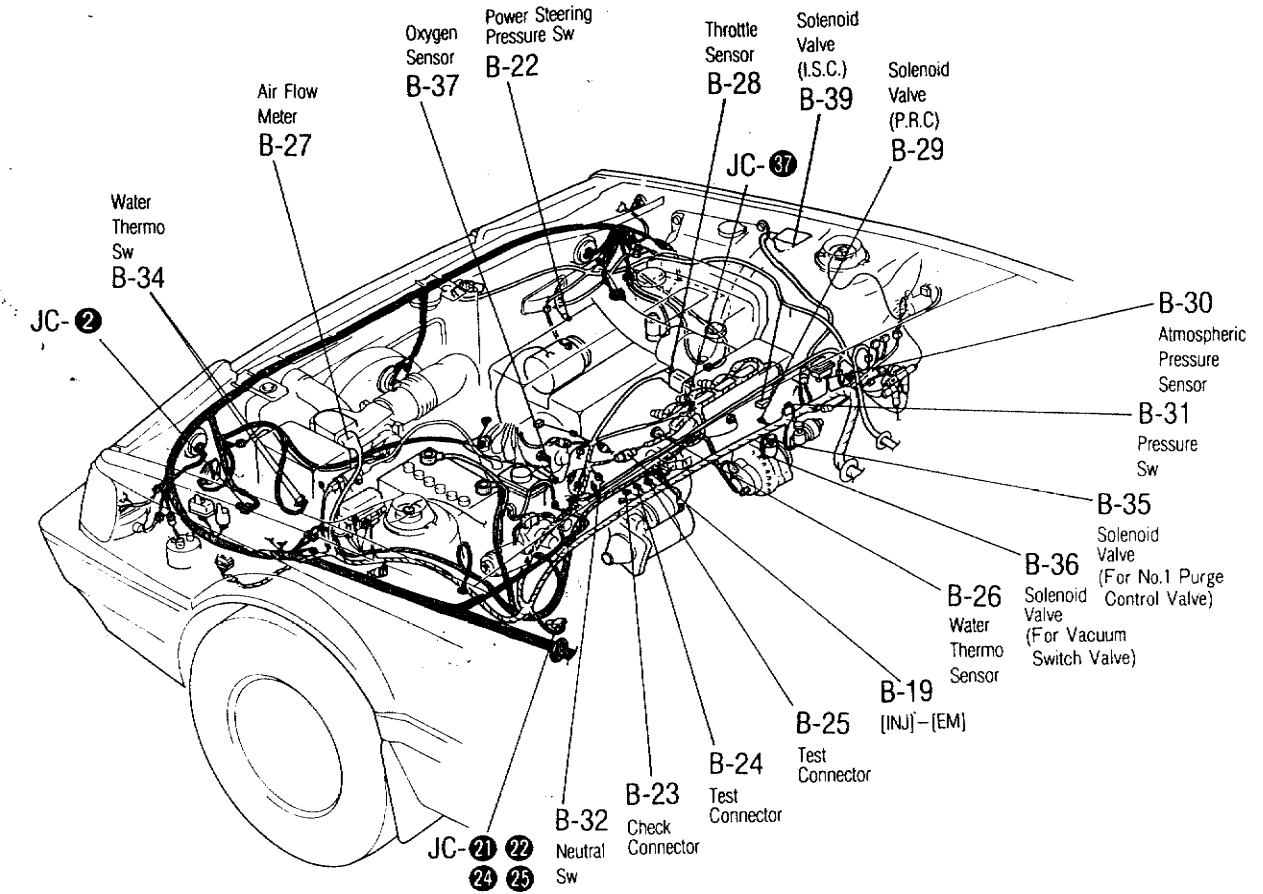
B-1a

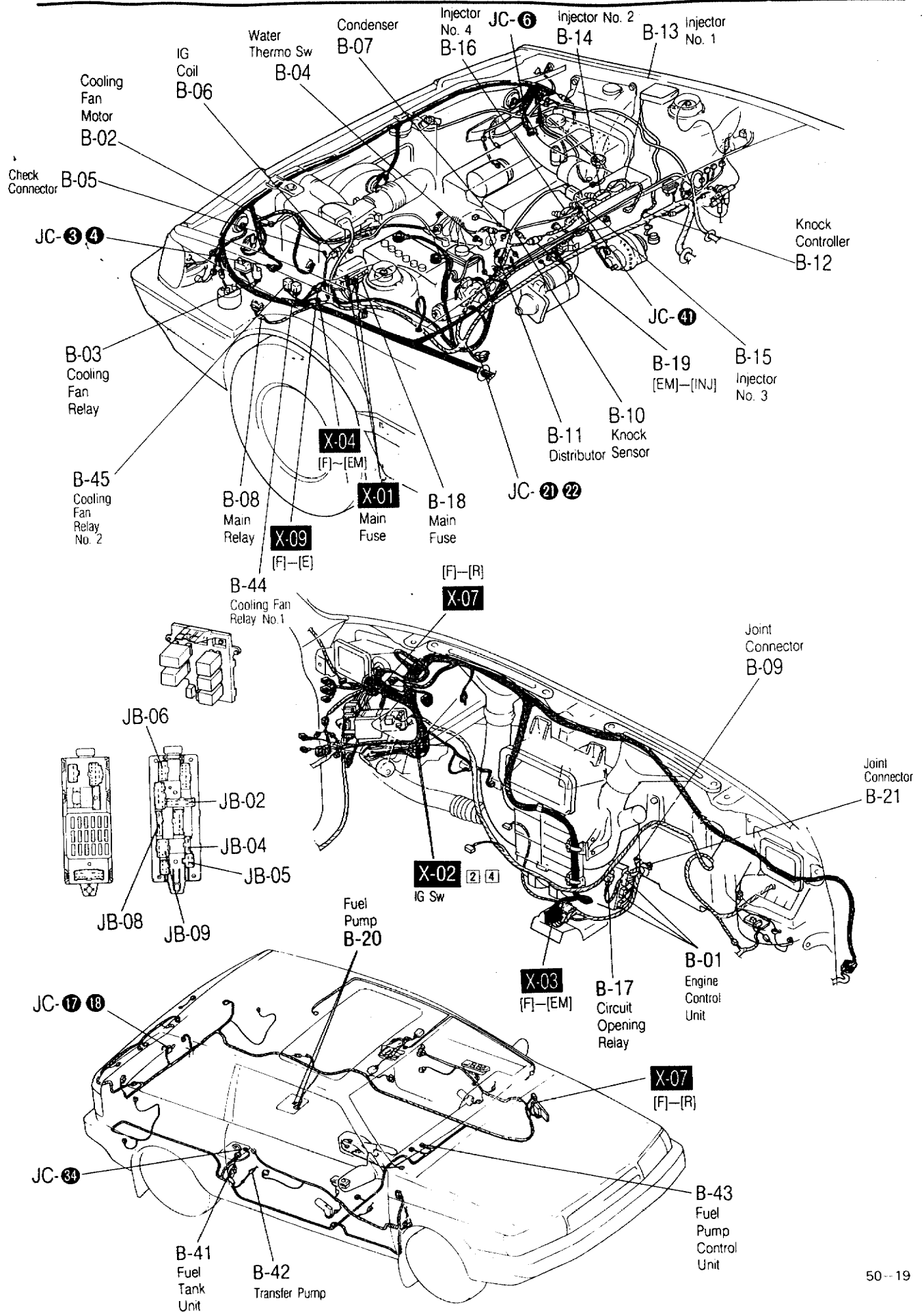
* Not Used



B-01 Engine Control Unit [EM]	YL LQY	YL GR L RL GO * LGR	B-07 Condenser [EM]	G L BW BR Y WL LQ BRY	B-08 Main Relay [EM]	YG B Y YB B	B-02 Cooling Fan Motor [F]	Y YG	B-03 Cooling Fan Relay [F]	* YG Y	B-04 Water Thermo Sw [F]	GR
B-05 Check Connector [EM]	YL	YL BW	B-09 Joint Connector [EM]	BW BW	BW BW	B-10 Knock Sensor [EM]	BY B	B-11 Distributor [EM]	BG BY G	BG BY G	B-12 Knock Controller [EM]	YG
B-13 Injector No. 1 [INJ]	Y	YB BW	B-16 Injector No. 4 [INJ]	YB	BW YG	B-17 Circuit Opening Relay [EM]	BR BW GR	B-18 Main Fuse [EM]	YB BW LY YG	YB BW LY YG	B-19 Connector Between Emission [EM] And Injector [INJ] Harness [INJ]	YG YB Y
B-14 Injector No. 2 [INJ]	YB	YB BW	B-15 Injector No. 3 [INJ]	Y	BW	B-20 Fuel Pump [EM]	BY	B-21 Joint Connector [EM]	YB BW LY YG	YB BW LY YG		
B-20 Fuel Pump [EM]	GR B	GR B	B-21 Joint Connector [EM]	BY	BY							
B-21 Joint Connector [EM]	Y WR	Y WR										



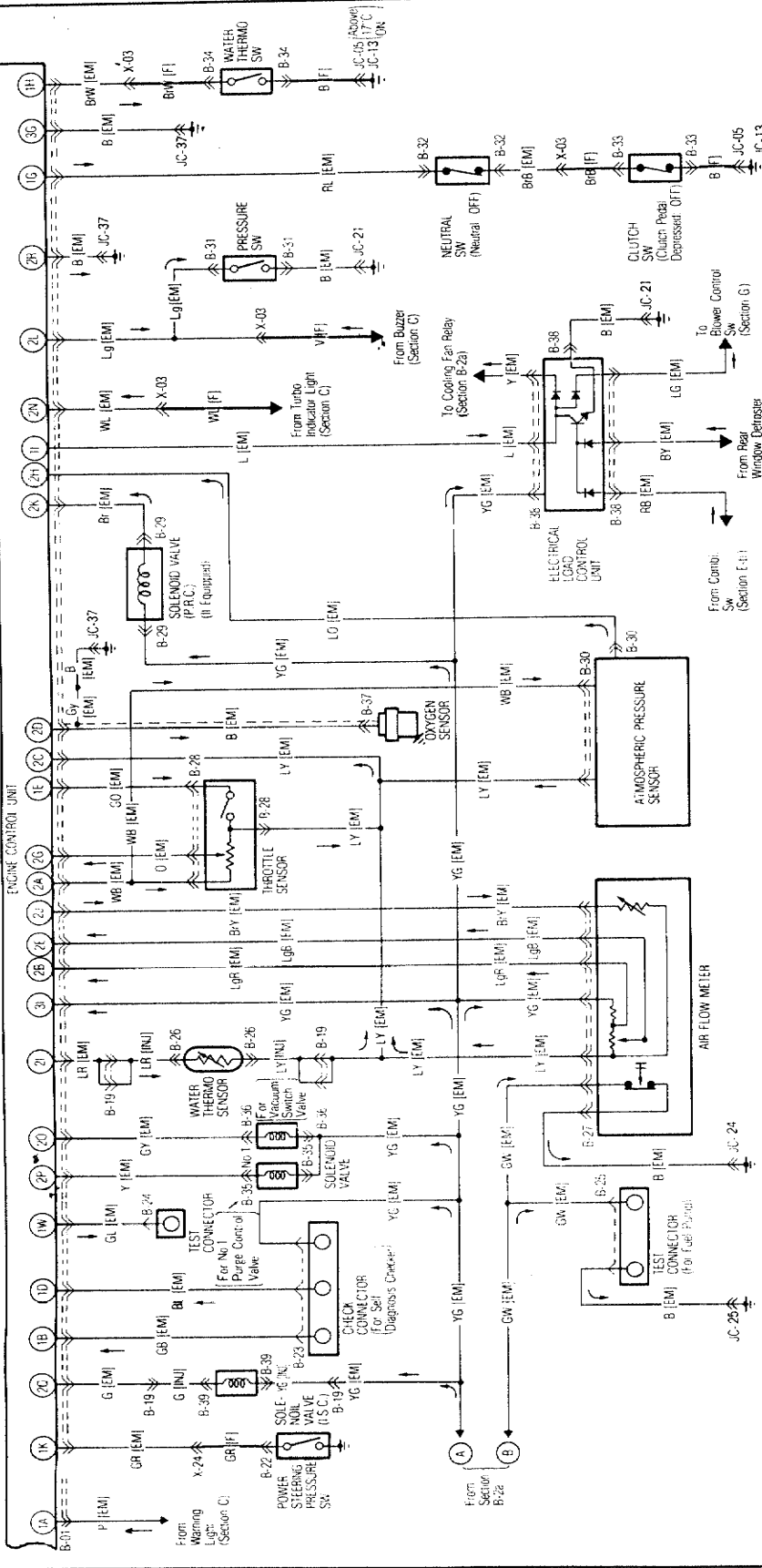




For Turbo With 4WD

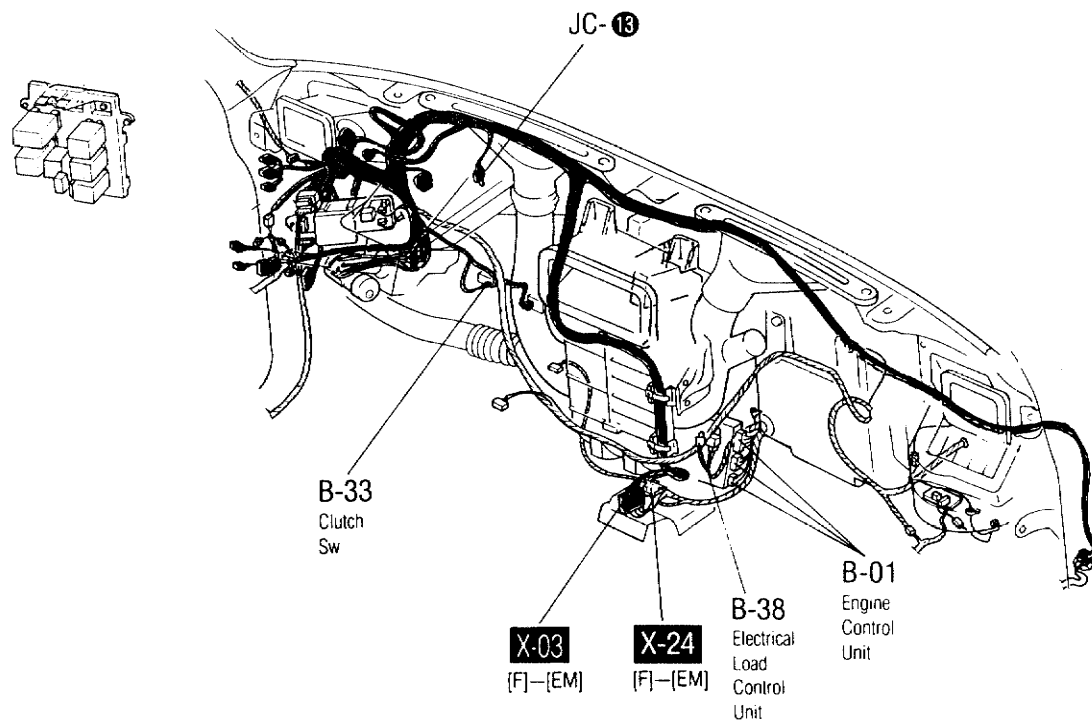
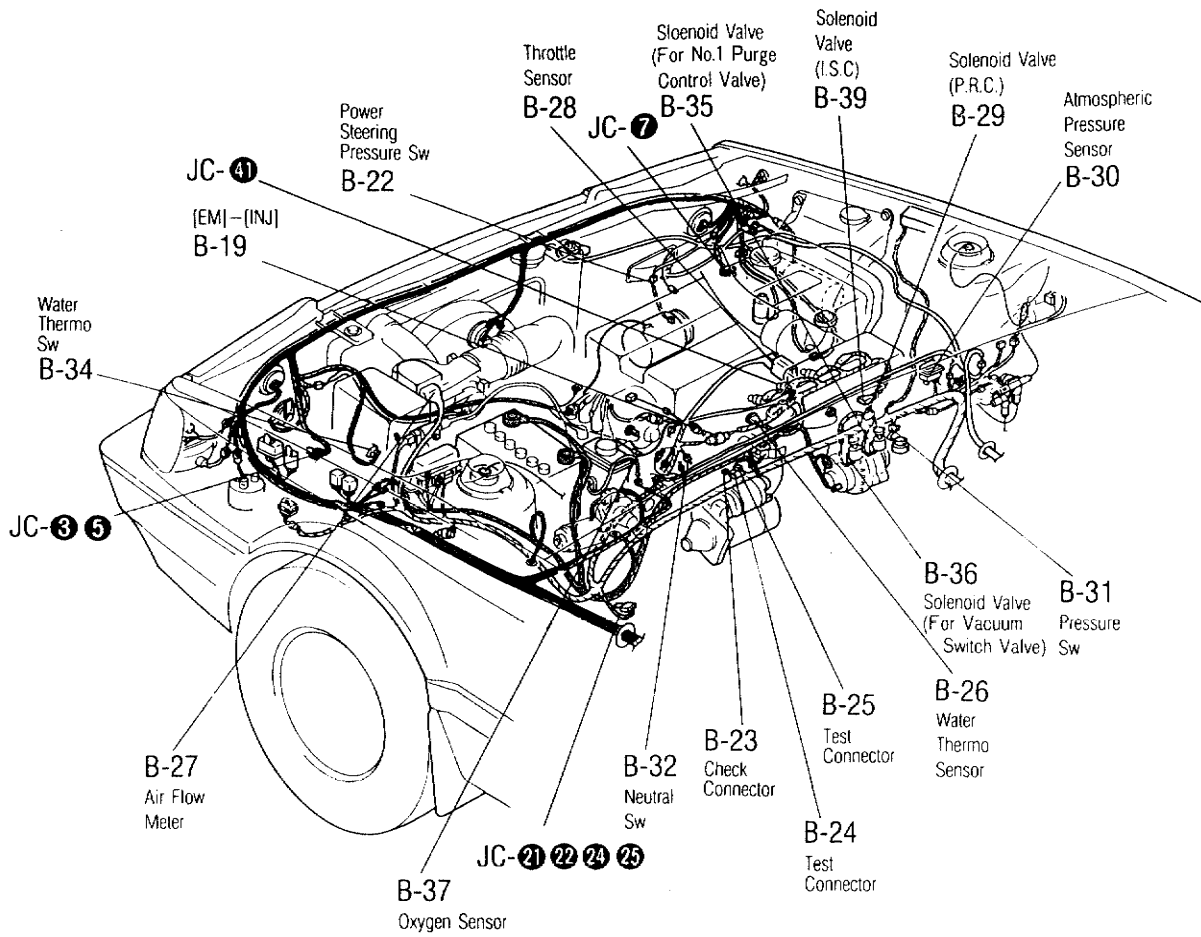
ENGINE & FUEL CONTROL SYSTEM

Note: * No. 11-200



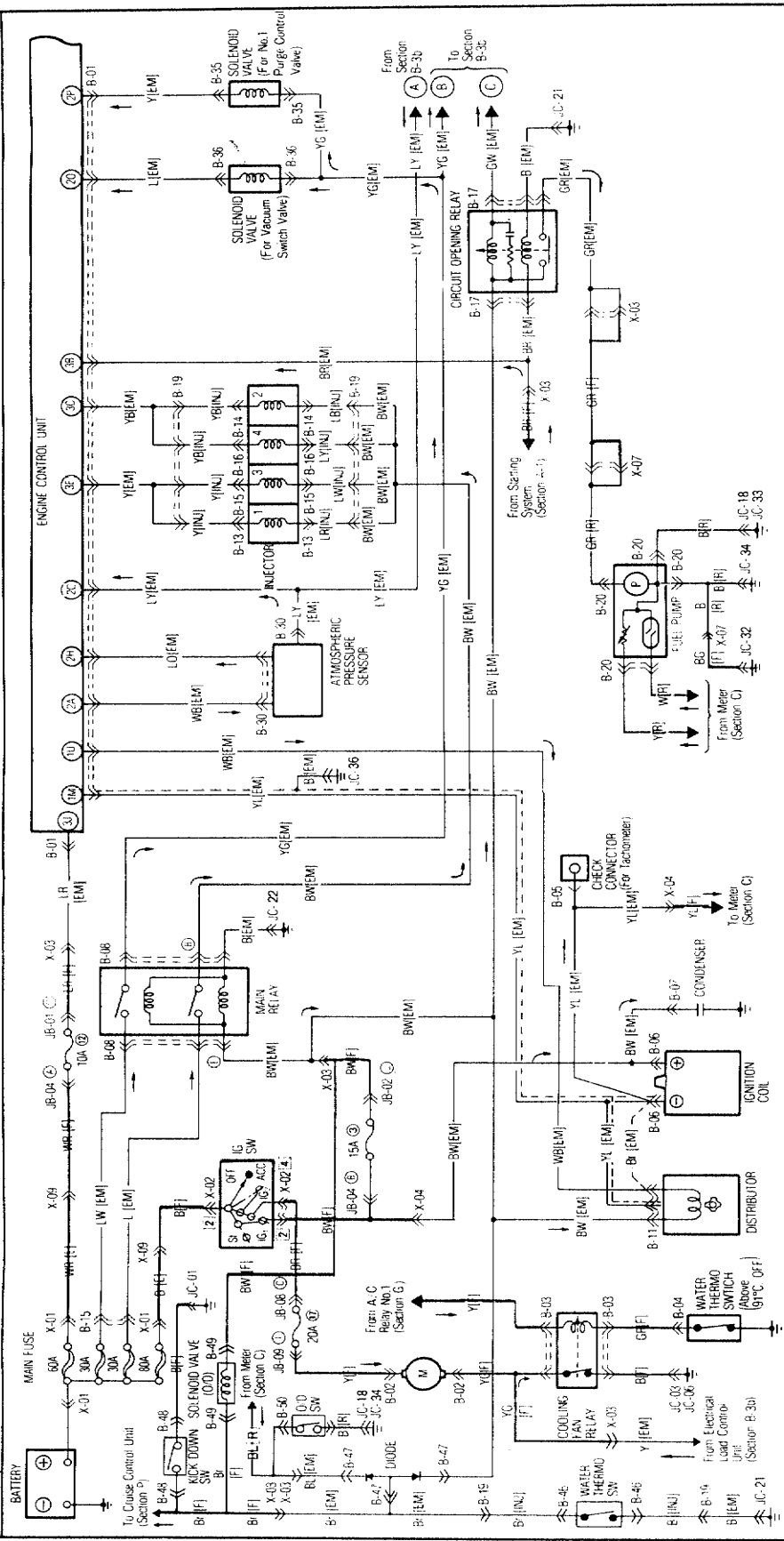
B-2b

Terminal	Wiring Description	Component	Diagram
B-01	Engine Control Unit [EM]	Engine Control Unit	Diagram showing terminal connections
B-19	Connector Between Emission [EM] and Injector [INU] Harness	Injector Harness	Diagram showing injector harness connection
B-36	Solenoid Valve [EM] (For No. 1 Purge Control Valve)	Purge Control Valve	Diagram of solenoid valve
B-34	Water Thermo Sw [F]	Water Temperature Switch	Diagram of water thermo switch
B-35	Solenoid Valve [EM] (For No. 1 Purge Control Valve)	Purge Control Valve	Diagram of solenoid valve
B-22	Power Steering Pressure Sw [F]	Power Steering Pressure Switch	Diagram of power steering pressure switch
B-26	Water Thermo Sensor [EM]	Water Temperature Sensor	Diagram of water thermo sensor
B-27	Air Flow Meter [EM]	Air Flow Meter	Diagram of air flow meter
B-30	Atmospheric Pressure Sensor [EM]	Atmospheric Pressure Sensor	Diagram of atmospheric pressure sensor
B-38	Electrical Load Control Unit [EM]	Electrical Load Control Unit	Diagram of electrical load control unit
B-23	Check Connector [EM]	Check Connector	Diagram of check connector
B-24	Test Connector [EM]	Test Connector	Diagram of test connector
B-25	Test Connector [EM]	Test Connector	Diagram of test connector
B-28	Throttle Sensor [EM]	Throttle Position Sensor	Diagram of throttle sensor
B-32	Neutral Sw [EM] (Neutral OFF)	Neutral Switch	Diagram of neutral switch
B-33	Clutch Sw [EM] (Clutch Pedal Depressed OFF)	Clutch Switch	Diagram of clutch switch
B-37	Oxygen Sensor [EM]	Oxygen Sensor	Diagram of oxygen sensor
B-39	Solenoid Valve [EM] (For No. 1 Purge Control Valve)	Purge Control Valve	Diagram of solenoid valve
B-39	Solenoid Valve [EM] (For No. 1 Purge Control Valve)	Purge Control Valve	Diagram of solenoid valve
B-39	Solenoid Valve [EM] (For No. 1 Purge Control Valve)	Purge Control Valve	Diagram of solenoid valve
B-39	Solenoid Valve [EM] (For No. 1 Purge Control Valve)	Purge Control Valve	Diagram of solenoid valve
B-39	Solenoid Valve [EM] (For No. 1 Purge Control Valve)	Purge Control Valve	Diagram of solenoid valve

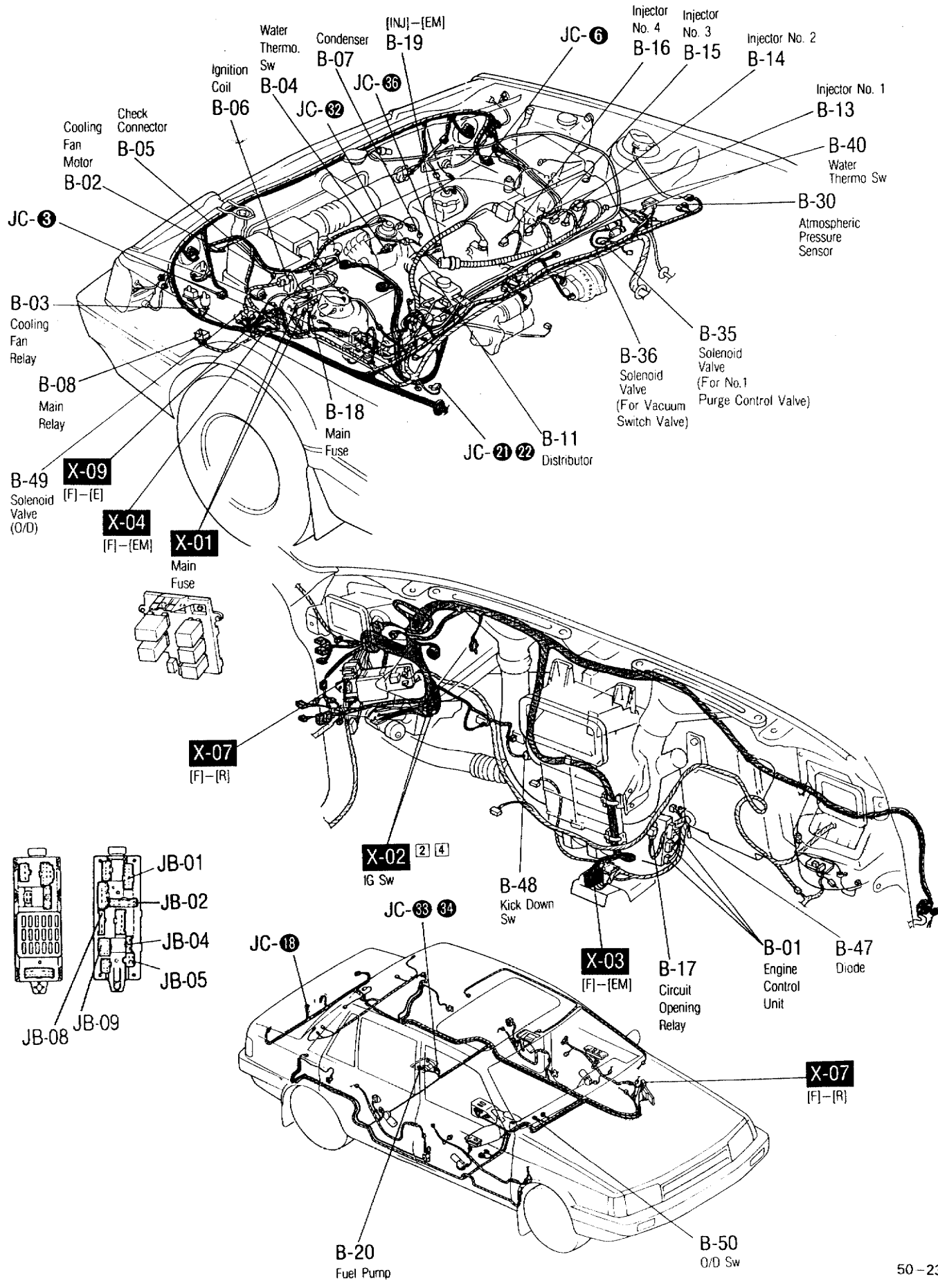


For Non Turbo

- IGNITION SYSTEM
- ENGINE & FUEL CONTROL SYSTEM
- COOLING FAN SYSTEM
- 4AT CONTROL SYSTEM



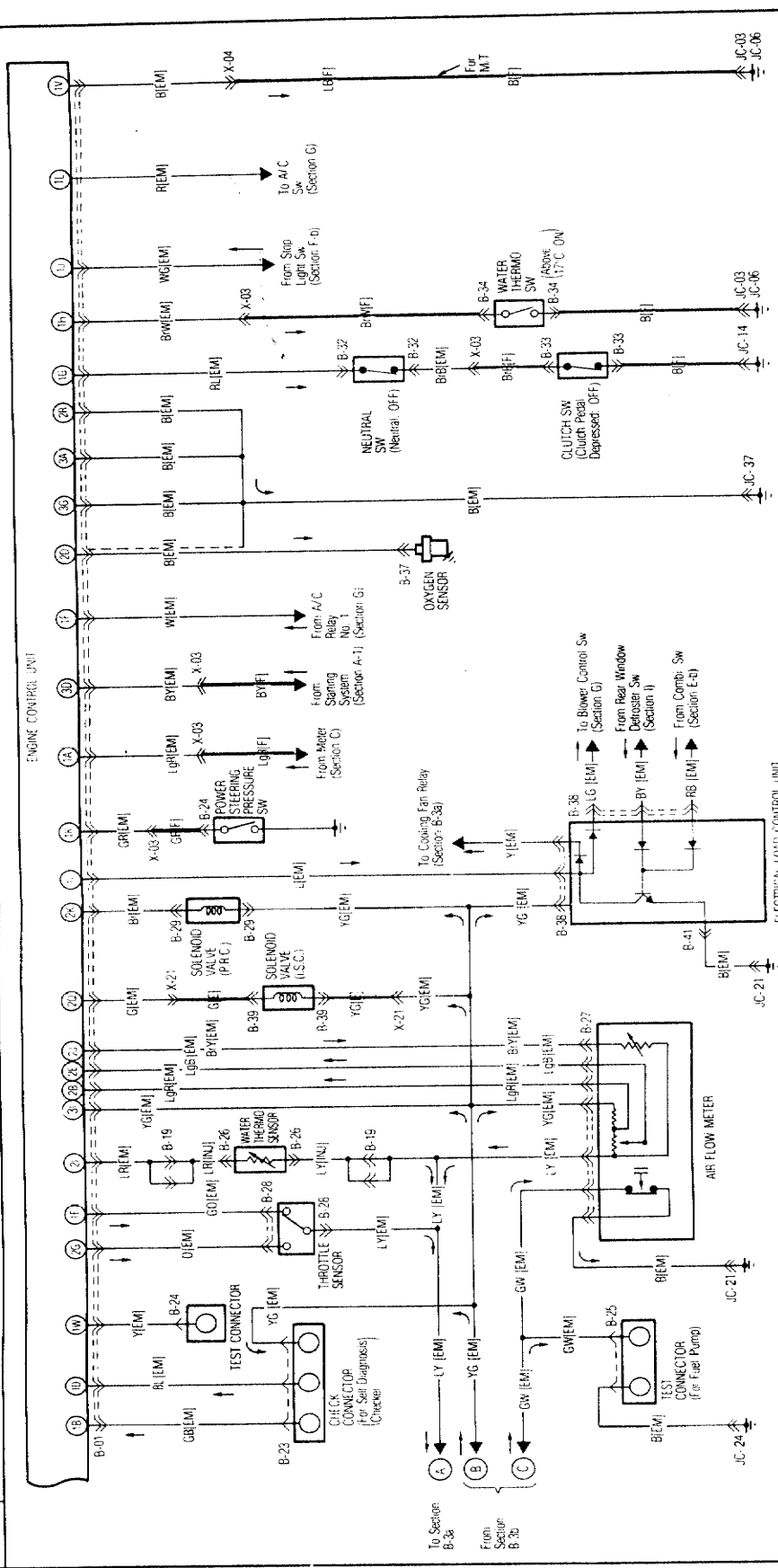
B-01 Engine Control Unit [EM]	Y WB X VL GR L RL GO X LGF B L R 0 LGF LY WB	Y G B Y YB B	B-02 Cooling Fan Maker [F]	Y VG	B-03 Cooling Fan Relay [F]	Y VG Y B GR	B-04 Water Thermo Sw [F]	GR
B-05 Check Connector [EM]	YL		B-13 Injector No 1 [INJ]	Y LR	B-14 Injector No 2 [INJ]	YB LB B GR	B-15 Injector No 3 [INJ]	Y LR LW
B-16 Injector No 4 [INJ]	YB GR		B-30 Atmospheric Pressure Sensor [EM]	WB	B-35 Solenoid Valve [EM]	Y YG	B-19 Connector Between Emission [EM] and Injector [INJ] Harness	YB LY B B LW Y B LW Y B LW Y
B-17 Circuit Opening Relay [EM]	BR BW GR		B-46 Water Thermo Sw [10D] [INJ]	YB	B-49 Solenoid Valve [0D] [F]	Y YG	B-50 0D Sw [R]	YB LY B B LW Y B LW Y B LW Y
B-36 Solenoid Valve [EM]	YB GR		B-48 Kick Down Sw [F]	GR B WR Y	B-47 Diode [EM]	BL B		



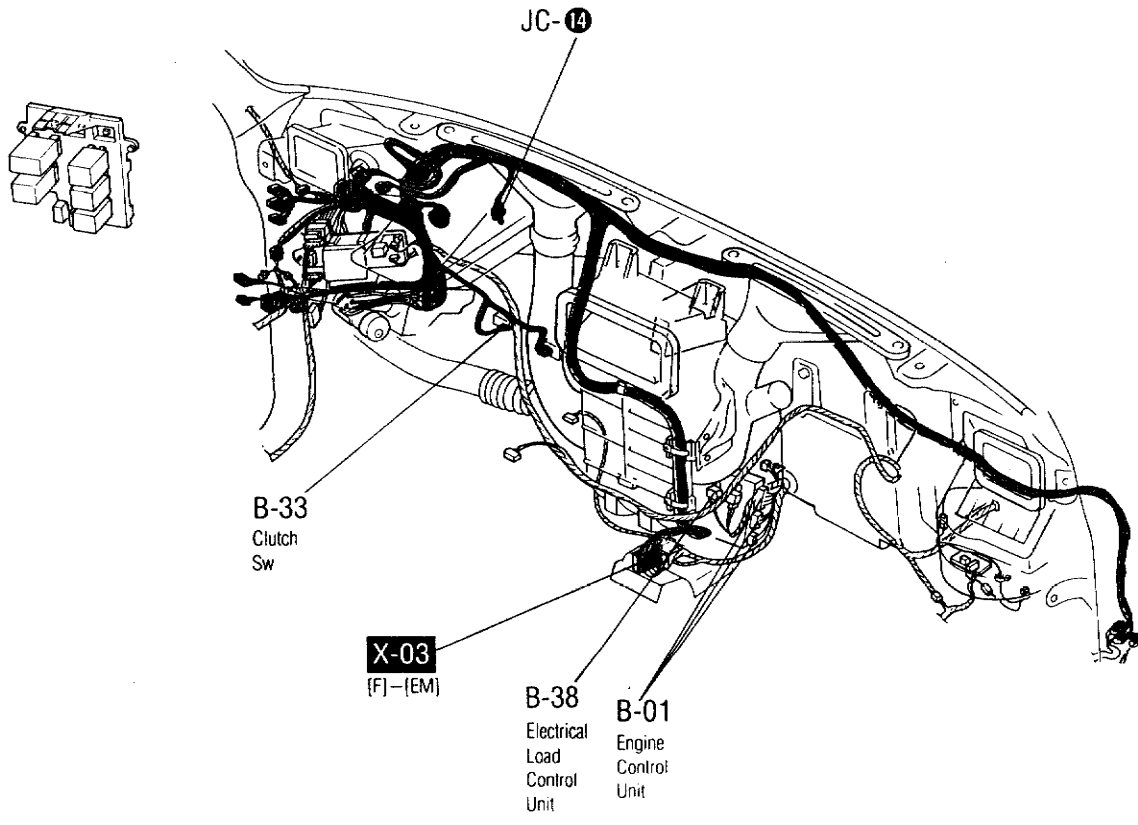
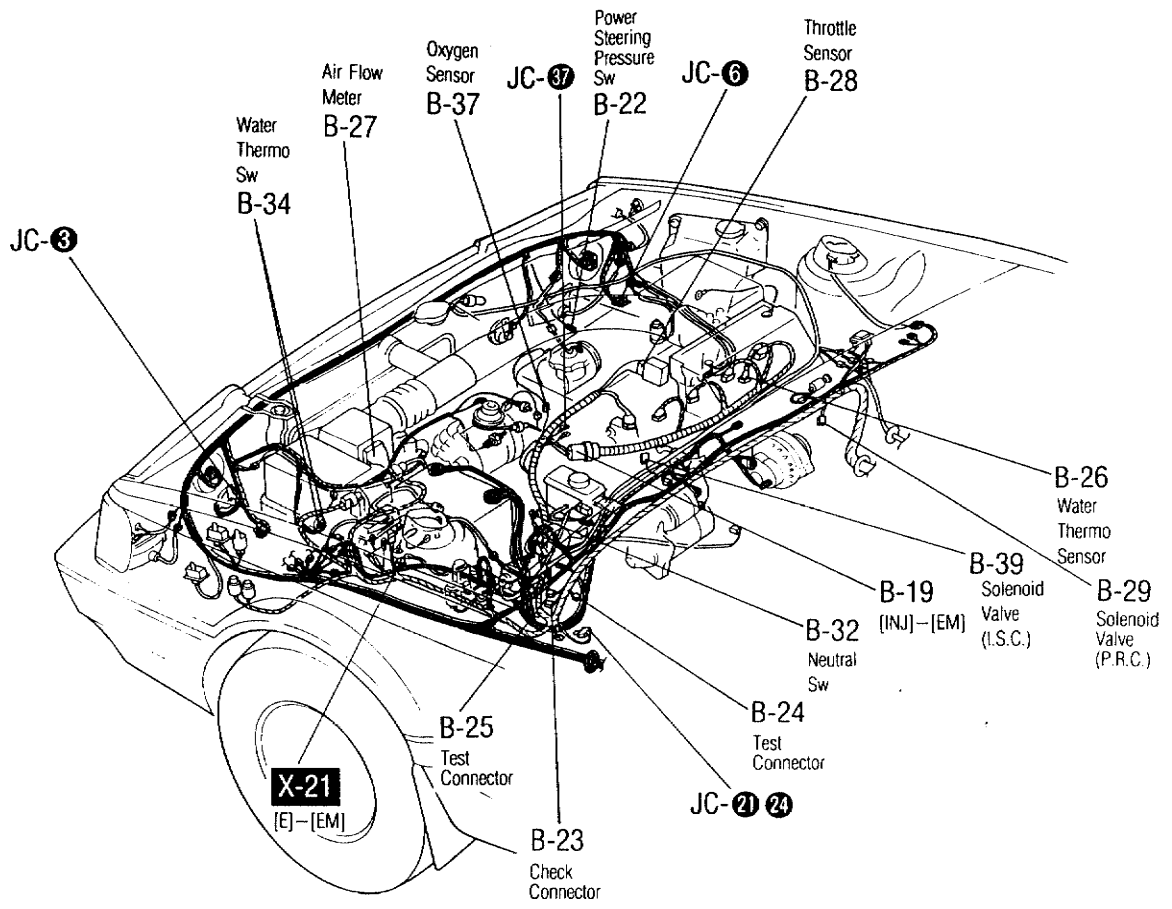
For Non Turbo ■ ENGINE & FUEL CONTROL SYSTEM

B-3b

NOTE * Not Used

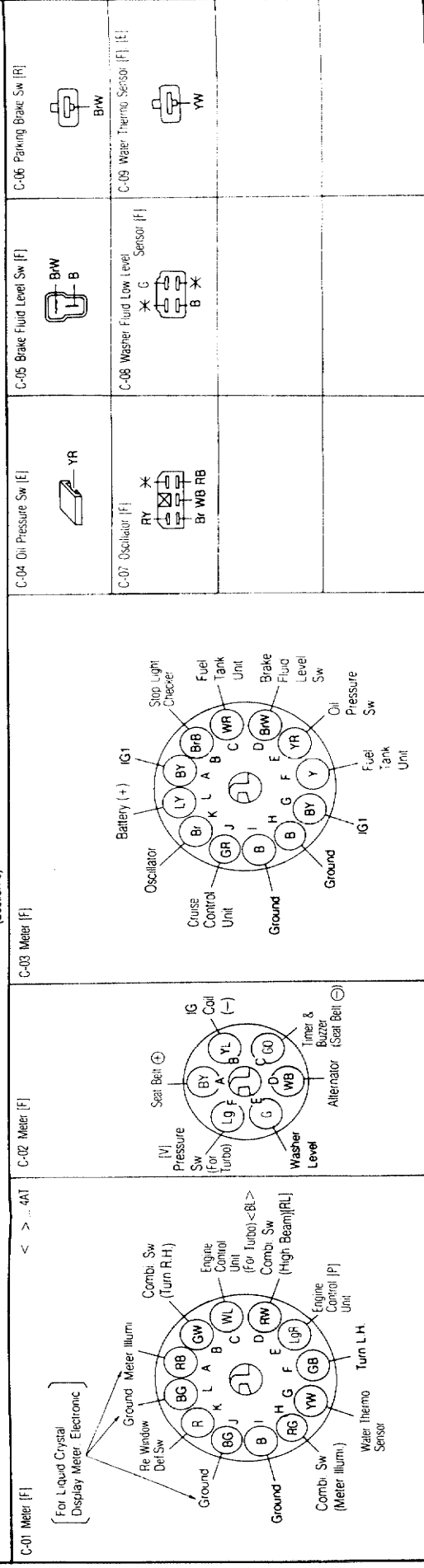
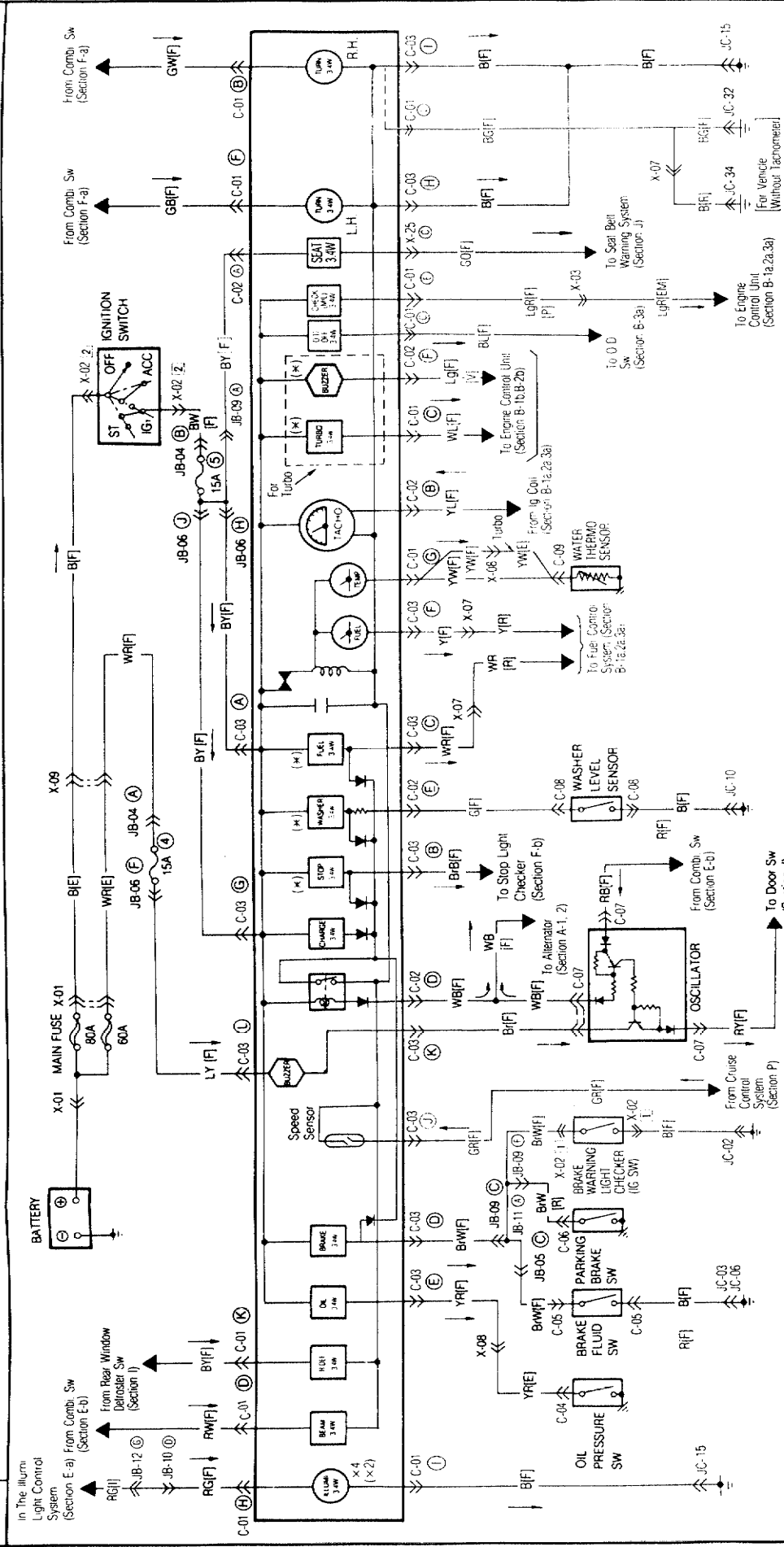


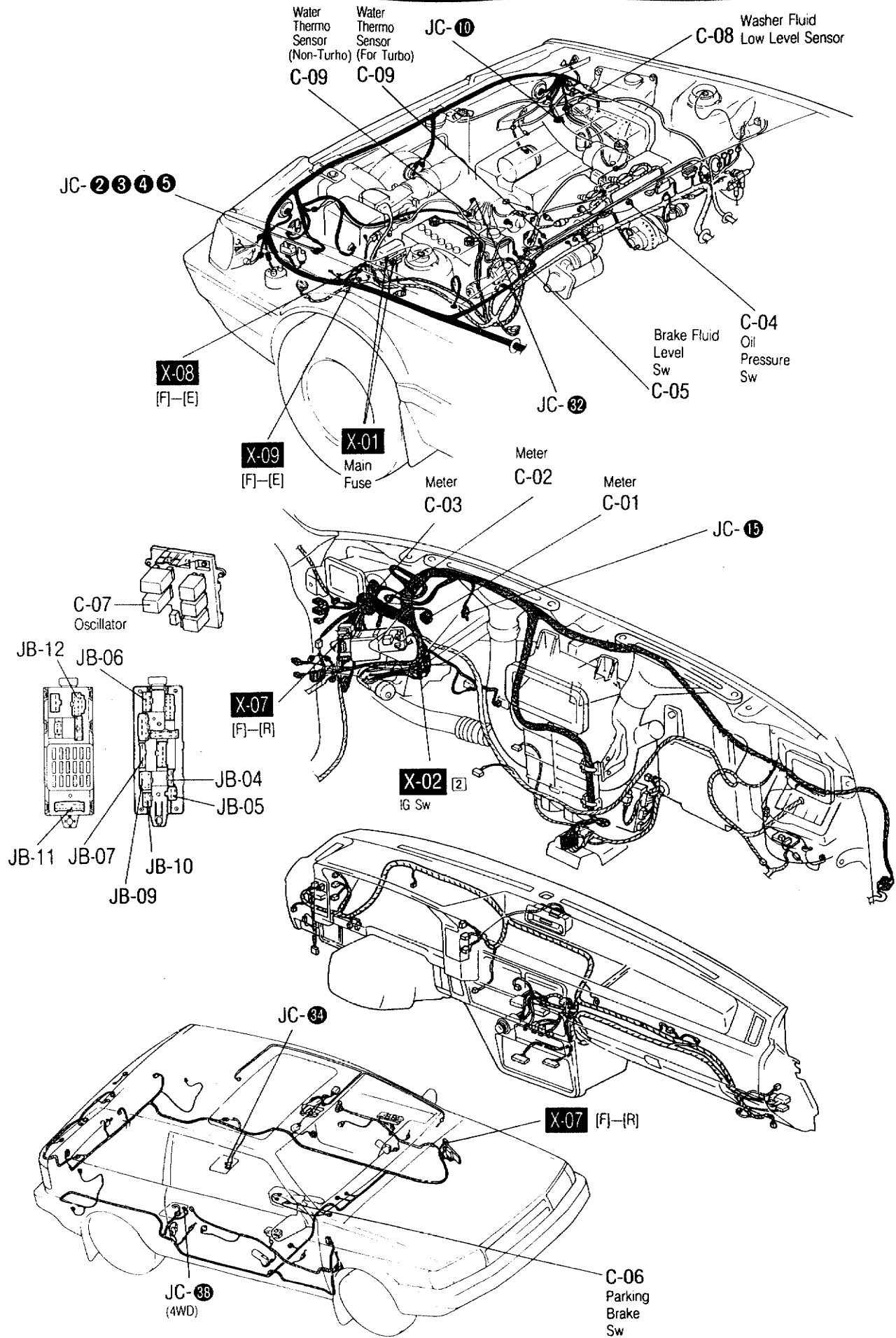
<p>B-01 Engine Control Unit [EM]</p>	<p>B-19 Connector Between Emission [EM] and Injector [INJ] Harness</p>	<p>B-23 Check Connector [EM]</p>	<p>B-24 Test Connector [EM]</p>	<p>B-25 Test Connector [EM]</p>
<p>B-02 Electrical (Load Control Unit) [EM]</p>	<p>B-26 Water Thermo Sensor [INJ]</p>	<p>B-27 Air Flow Meter [EM]</p>	<p>B-28 Throttle Sensor [EM]</p>	<p>B-29 Solenoid Valve (P.R.C.) [EM]</p>
<p>B-03 Electrical (Load Control Unit) [EM]</p>	<p>B-32 Neutral Sw [EM]</p>	<p>B-33 Clutch Sw [F]</p>	<p>B-34 Water Thermo Sw [F]</p>	<p>B-37 Oxygen Sensor [EM]</p>
<p>B-04 Electrical (Load Control Unit) [EM]</p>	<p>B-38 Solenoid Valve (I.S.C.) [E]</p>	<p>B-39 Solenoid Valve (I.S.C.) [E]</p>		



C - METERS & WARNING LIGHTS

Note: Without Tachometer For 4WD For Turbo Without 4WD Not Used

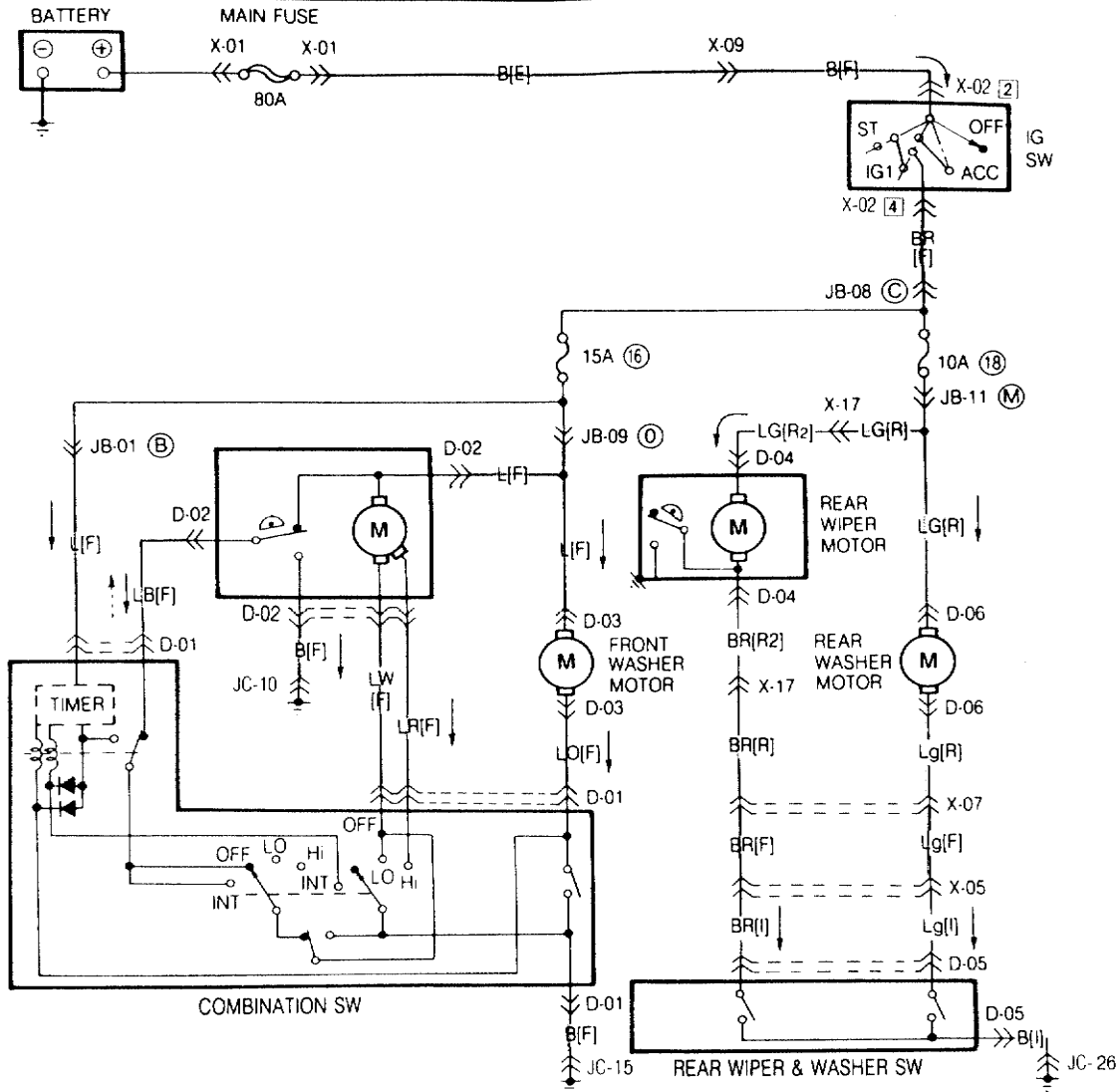




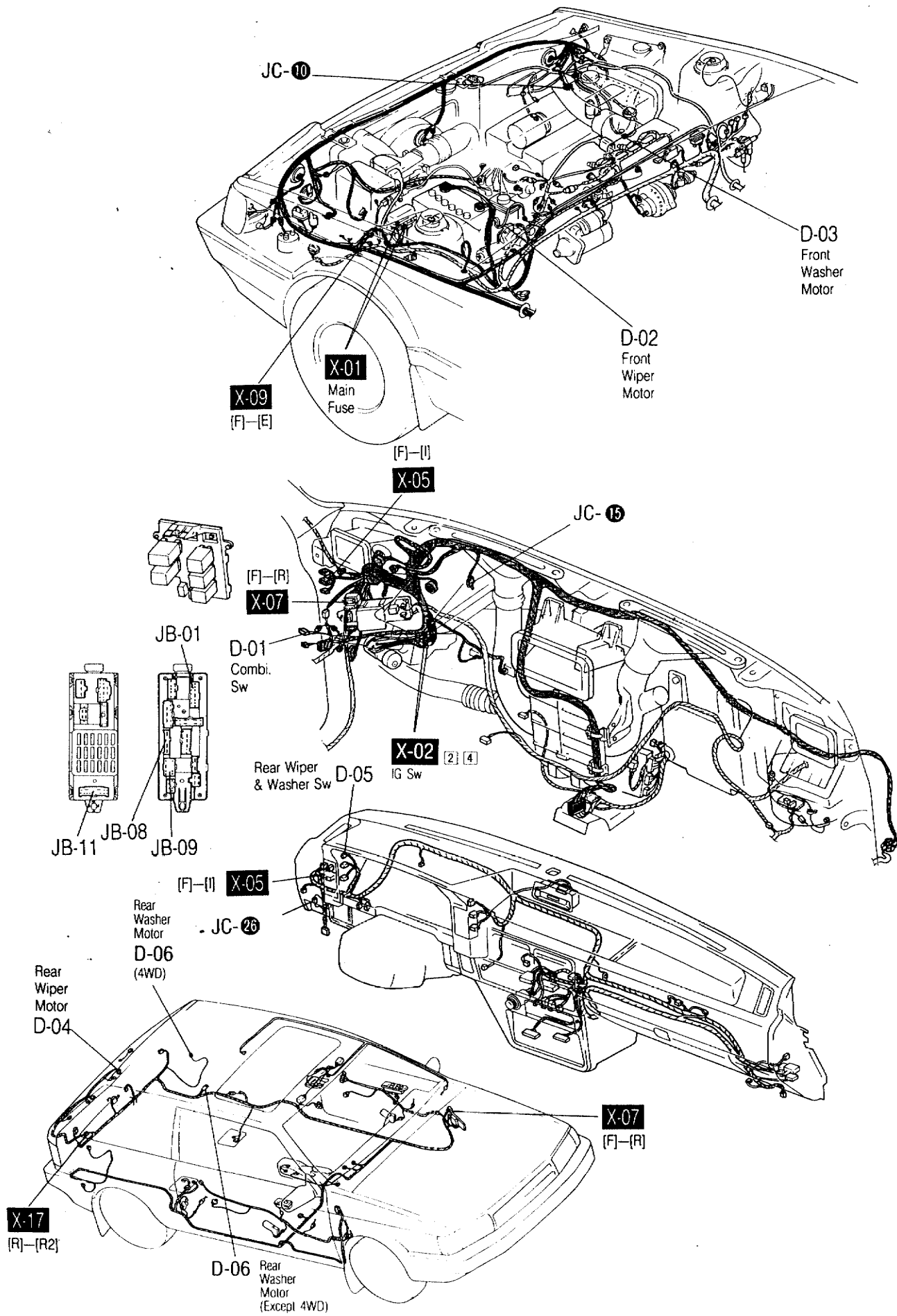
D

■ FRONT WIPER & WASHER
 ■ REAR WIPER & WASHER (3 & 5 Door)

Note: * ... Not Used

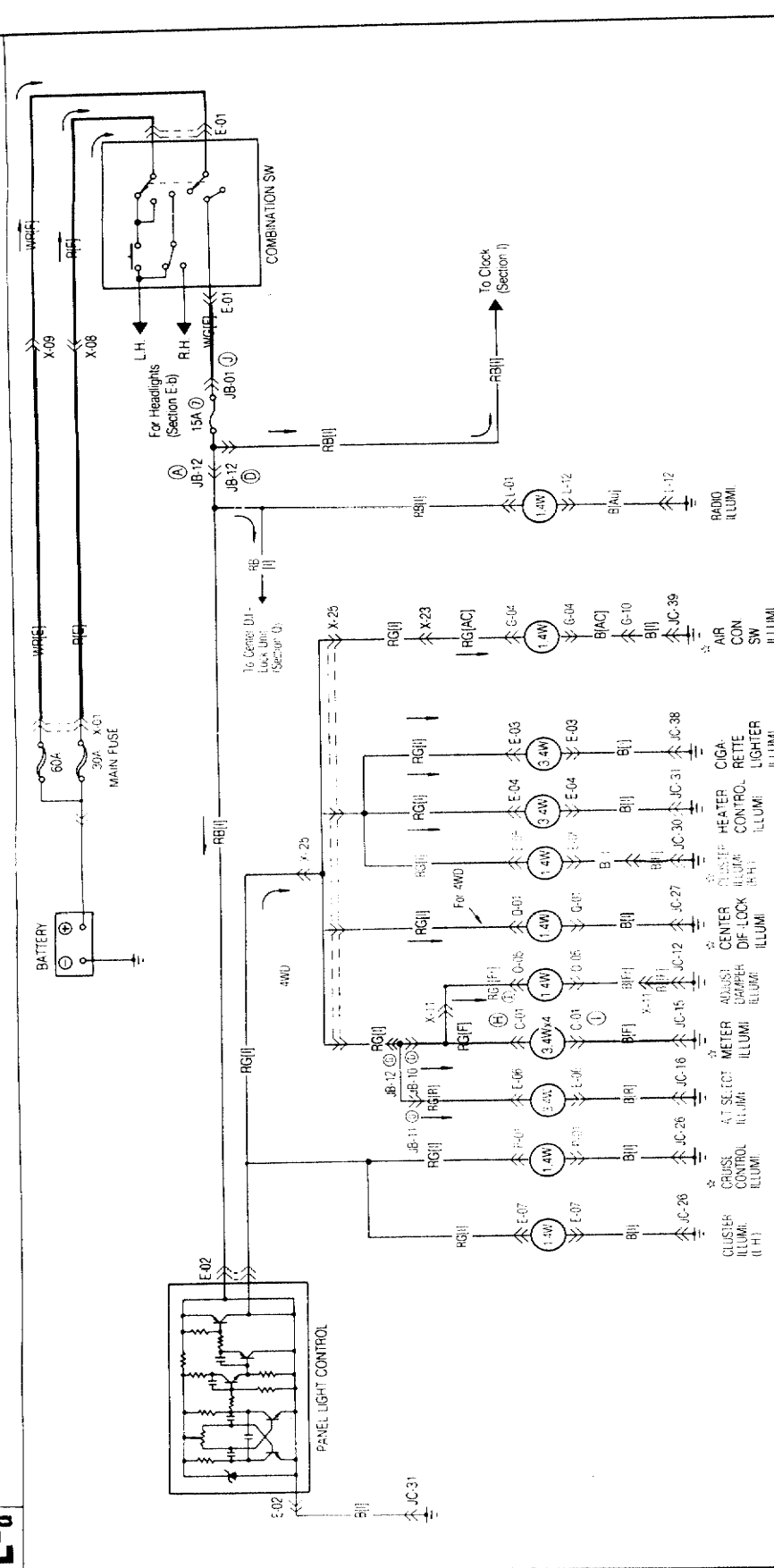


<p>D-01 Combination Sw [F]</p>	<p>D-02 Front Wiper Motor [F]</p>	<p>D-03 Front Washer Motor [F]</p>	<p>D-04 Rear Wiper Motor [R2]</p>
<p>D-05 Rear Wiper & Washer Sw [I]</p>	<p>D-06 Rear Washer Motor [R]</p>		

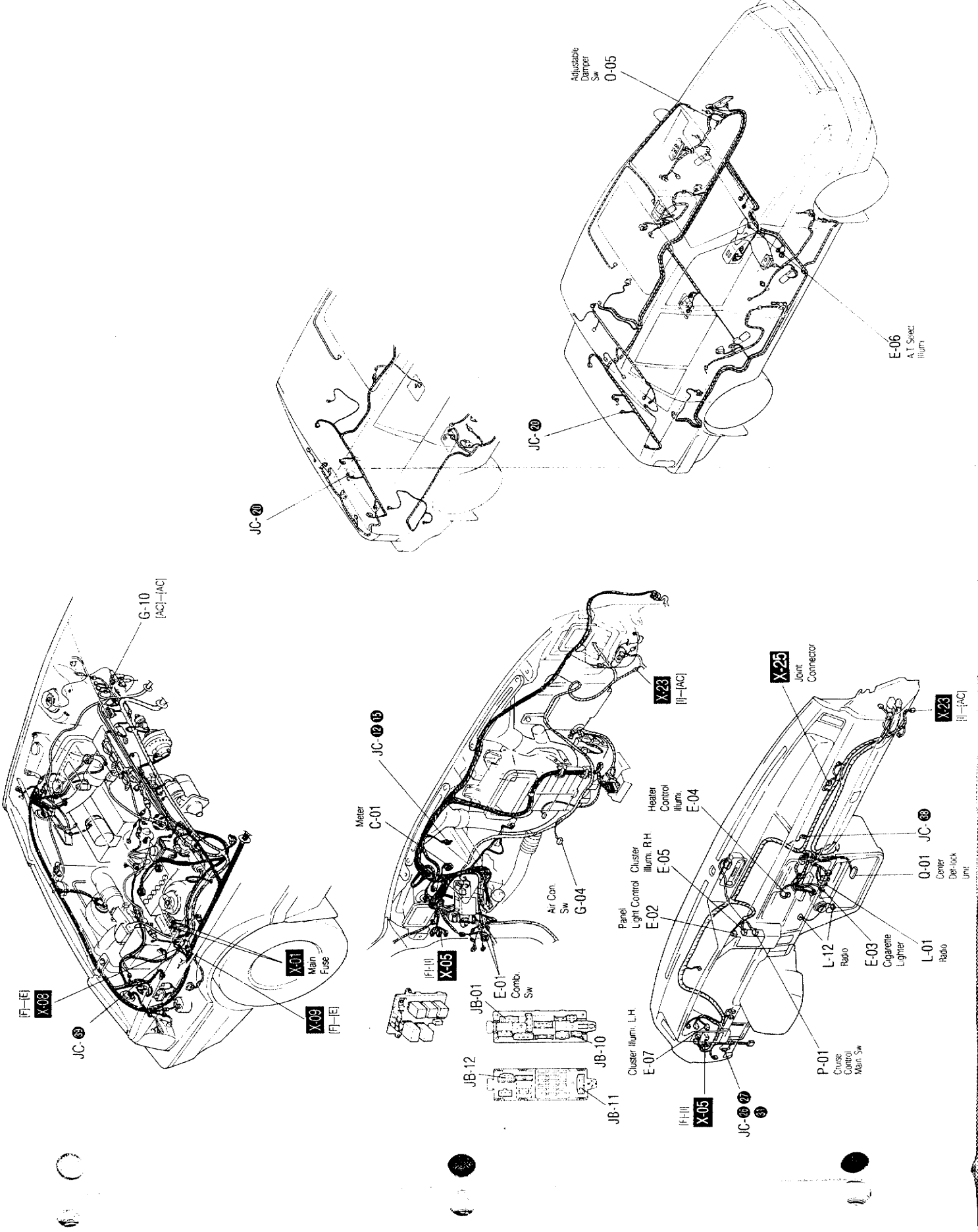


E-a ■ ILLUMINATION LIGHT CONTROL SYSTEM

Wiring diagram for illumination light control system. See also Section I for details on components and their installation.



<p>E-01 Combination Sw (F)</p>	<p>E-02 Panel Light Control (I)</p>	<p>E-03 Cigarette Lighter Illum. (I)</p>	<p>E-04 Heater Control Illum. (I)</p>	<p>E-05 Cluster Illum. R.H. (I)</p>	<p>E-06 A-1 Select Illum. (R)</p>	<p>E-07 Cluster Illum. L.H. (I)</p>
<p>5-10 Connector Between Air Con (AC) & Air Con (AC) Terminals</p>						
<p>Q-01 Center Diff-Lock Unit (I)</p>						
<p>Q-02 Air Con Sw (F)</p>						
<p>Q-03 Cruise Control Meter Sw (I)</p>						

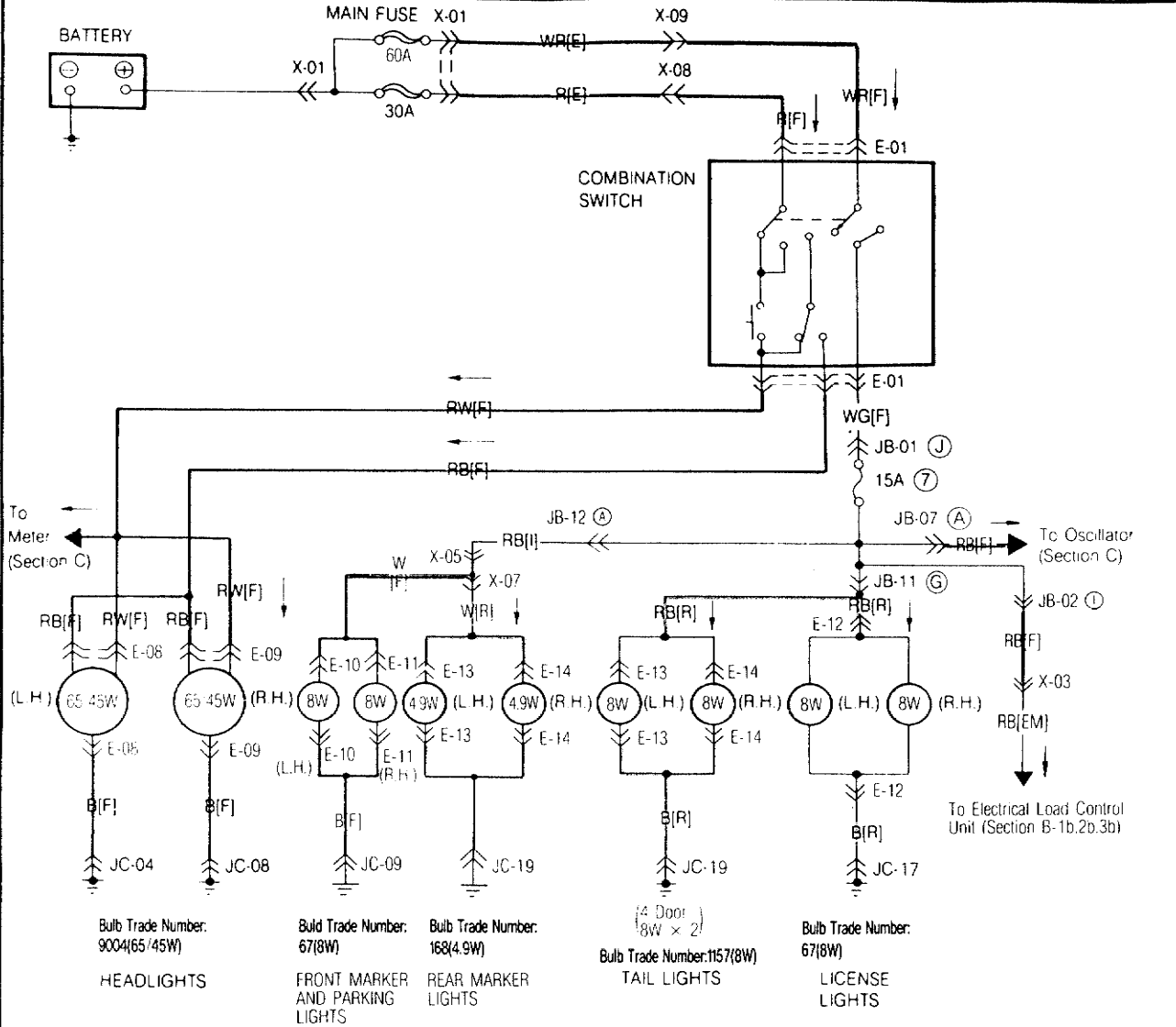


E-b

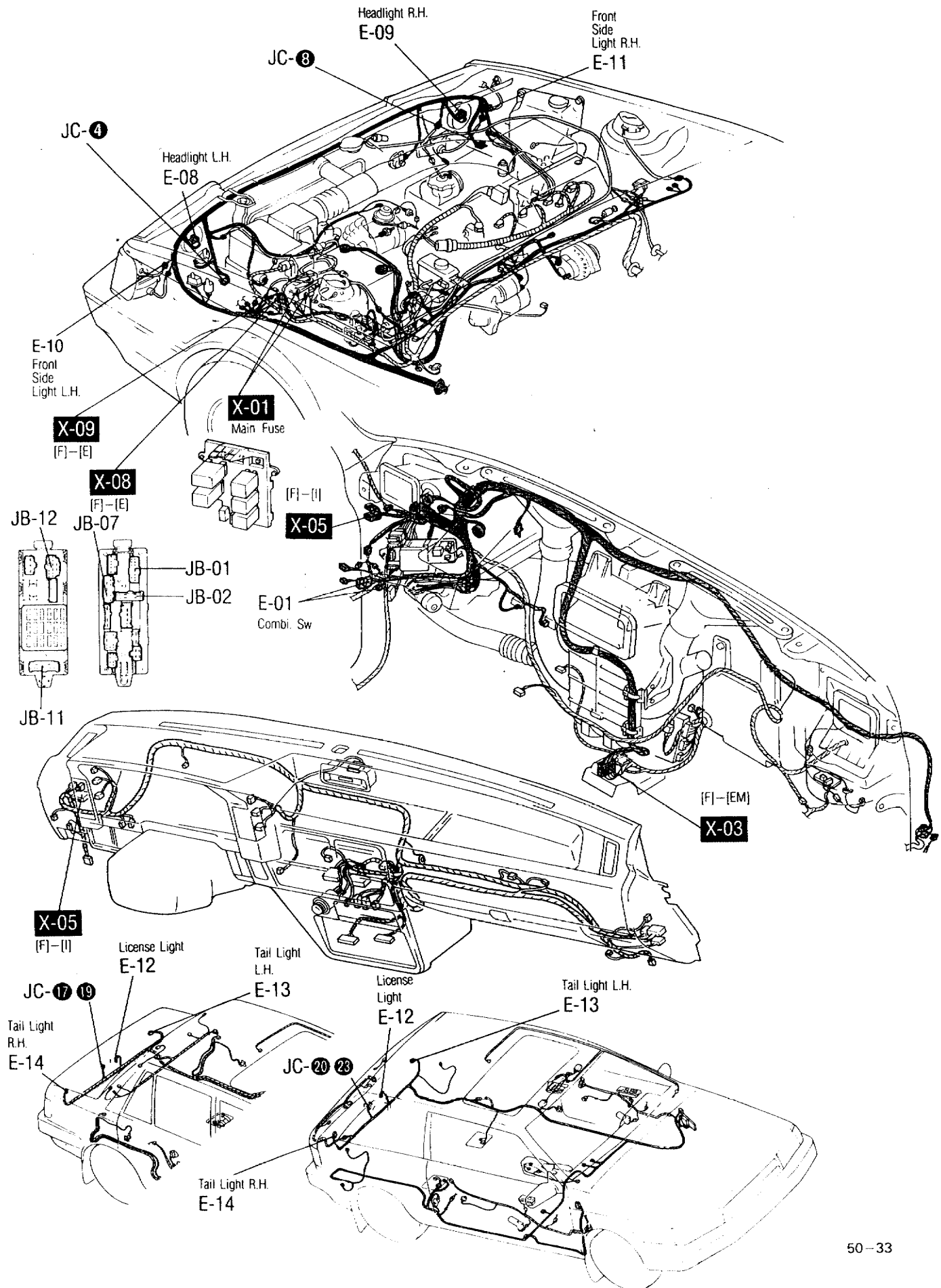
- FRONT MARKER LIGHTS
- PARKING LIGHTS
- TAIL LIGHTS

- LICENSE LIGHTS
- HEADLIGHTS
- REAR MARKER LIGHTS

Note:
* ... Not Used



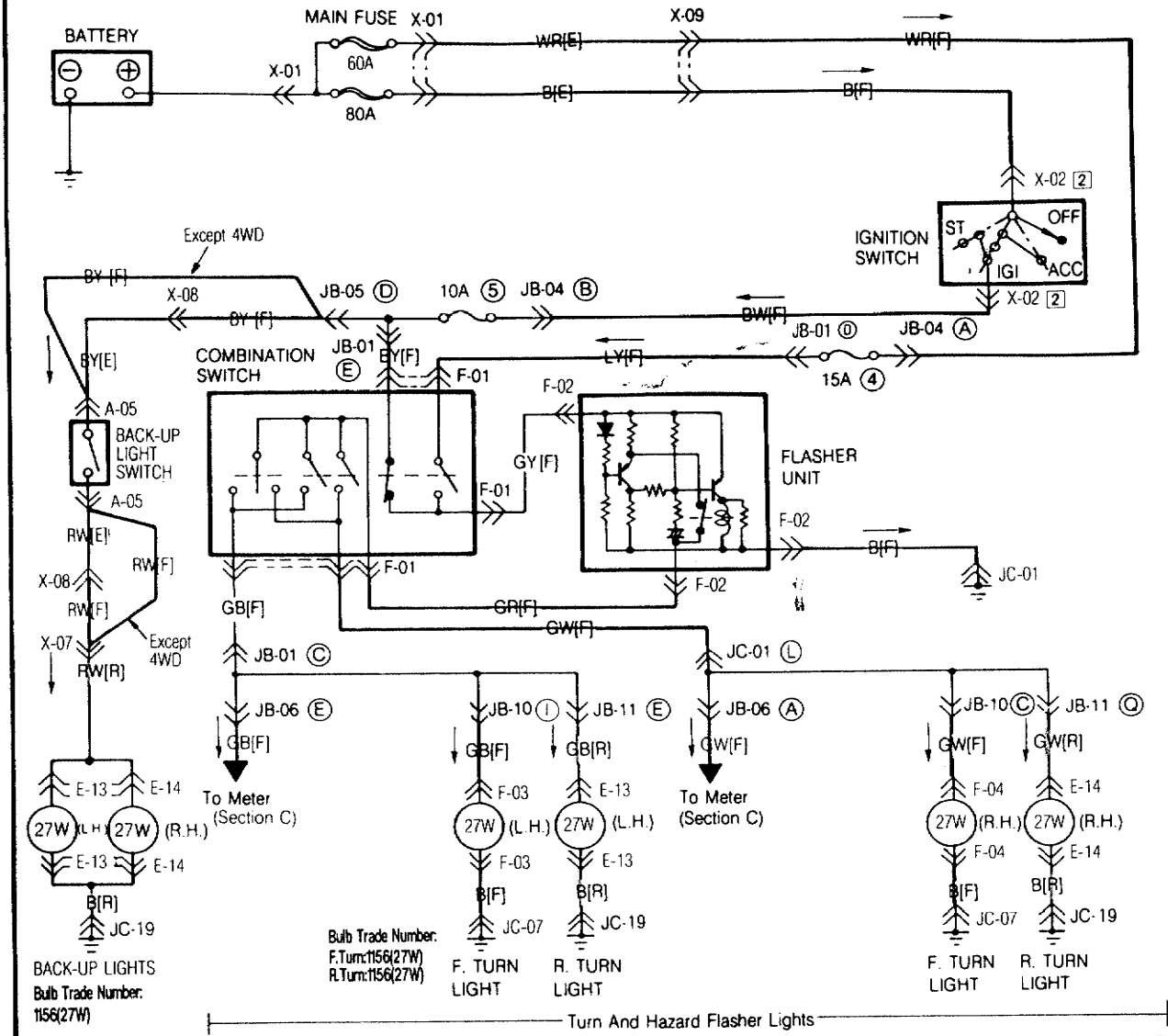
<p>E-01 Combination Switch [F]</p>	<p>WR — [] — R</p>	<p>E-08 Headlight L.H. [F]</p>	<p>E-09 Headlight R.H. [F]</p>
<p>E-10 F. Comb. Light L.H. [F]</p>	<p>E-11 F. Comb. Light R.H. [F]</p>	<p>E-12 License Light [R]</p>	<p>E-13 R. Comb. Light L.H. [R]</p>
<p>E-14 R. Comb. Light R.H. [R]</p>			



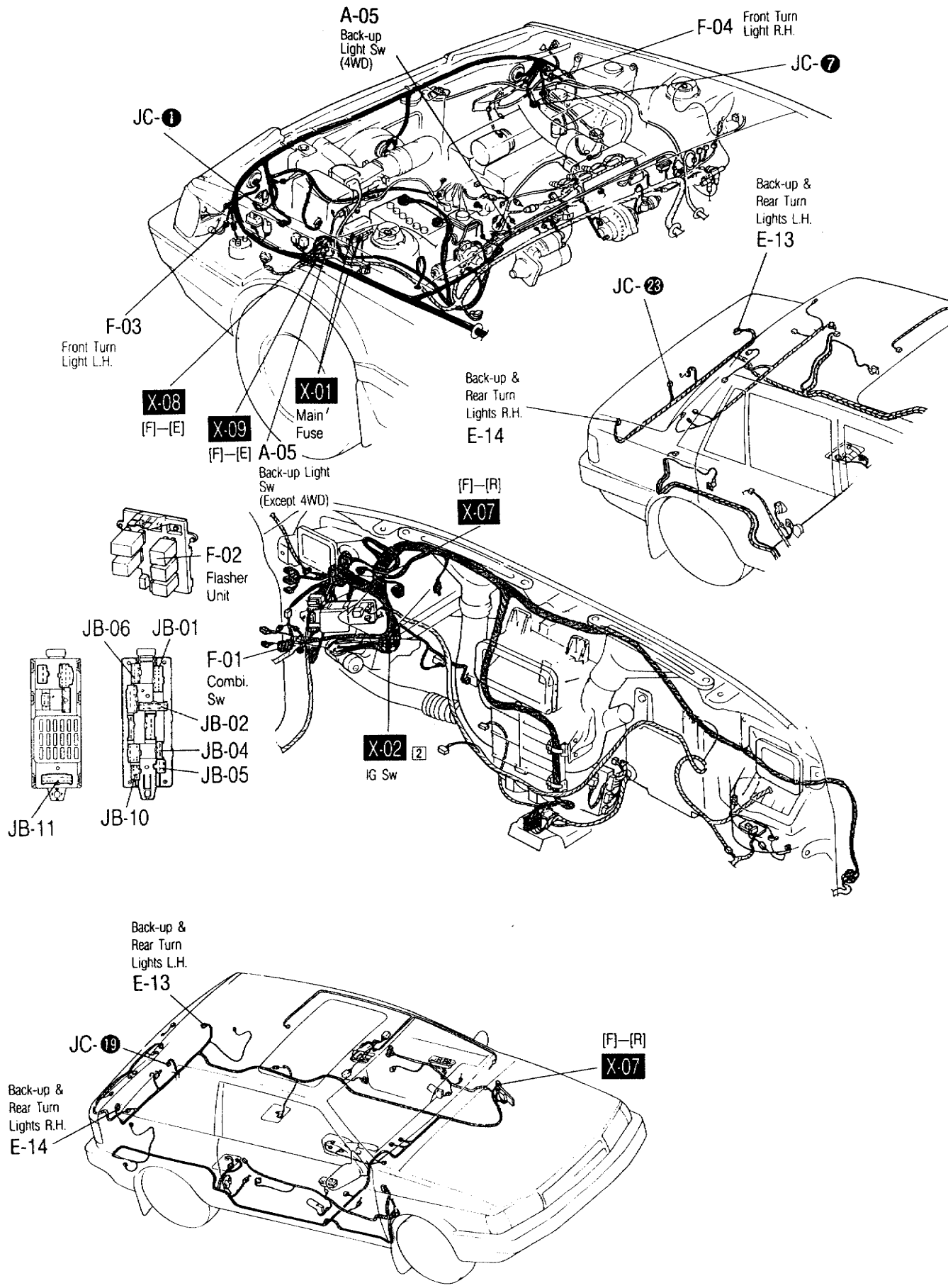
F-a

BACK-UP LIGHTS
TURN & HAZARD FLASHER LIGHTS

Note: ✕ Not Used

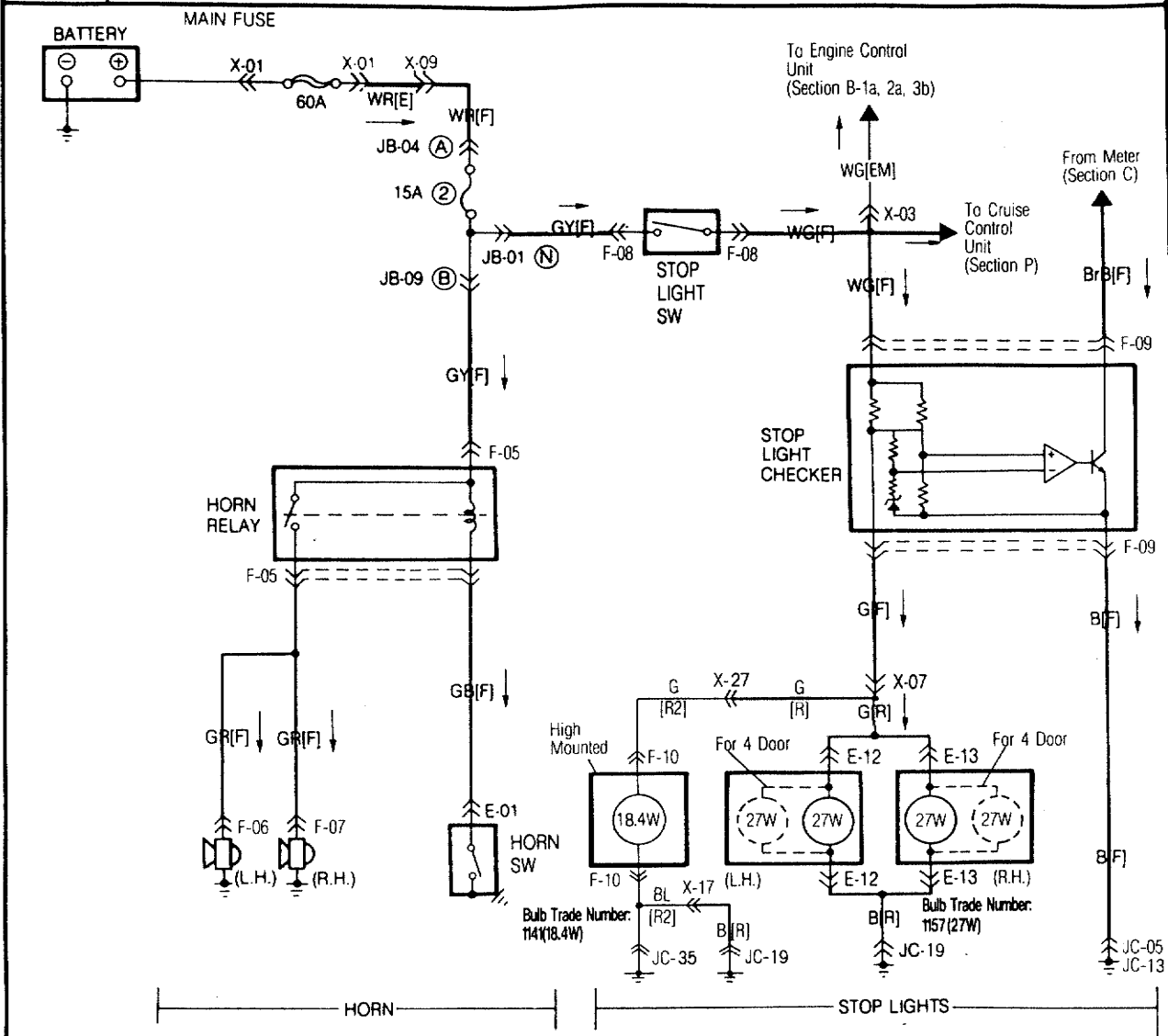


<p>F-01 Combination Switch [F]</p> <p>GB BY GY LY GR GW ✕ ✕</p>	<p>F-02 Flasher Unit [F]</p> <p>B GY GR</p>	<p>F-03 Front Turn Light L.H. [F]</p> <p>GB B</p>	<p>F-04 Front Turn Light R.H. [F]</p> <p>GW B</p>
<p>A-05 Back-Up Light Sw [F], [E]</p> <p>BY BY RW BR</p>	<p>BY BY RW BR (4WD)</p>	<p>E-13 Rear Combi. Light L.H. [R]</p> <p>W RW GB B RB G</p>	<p>E-14 Rear Combi. Light R.H. [R]</p> <p>W RW GW B RB G</p>
<p> </p>	<p> </p>	<p> </p>	<p> </p>
<p> </p>	<p> </p>	<p> </p>	<p> </p>

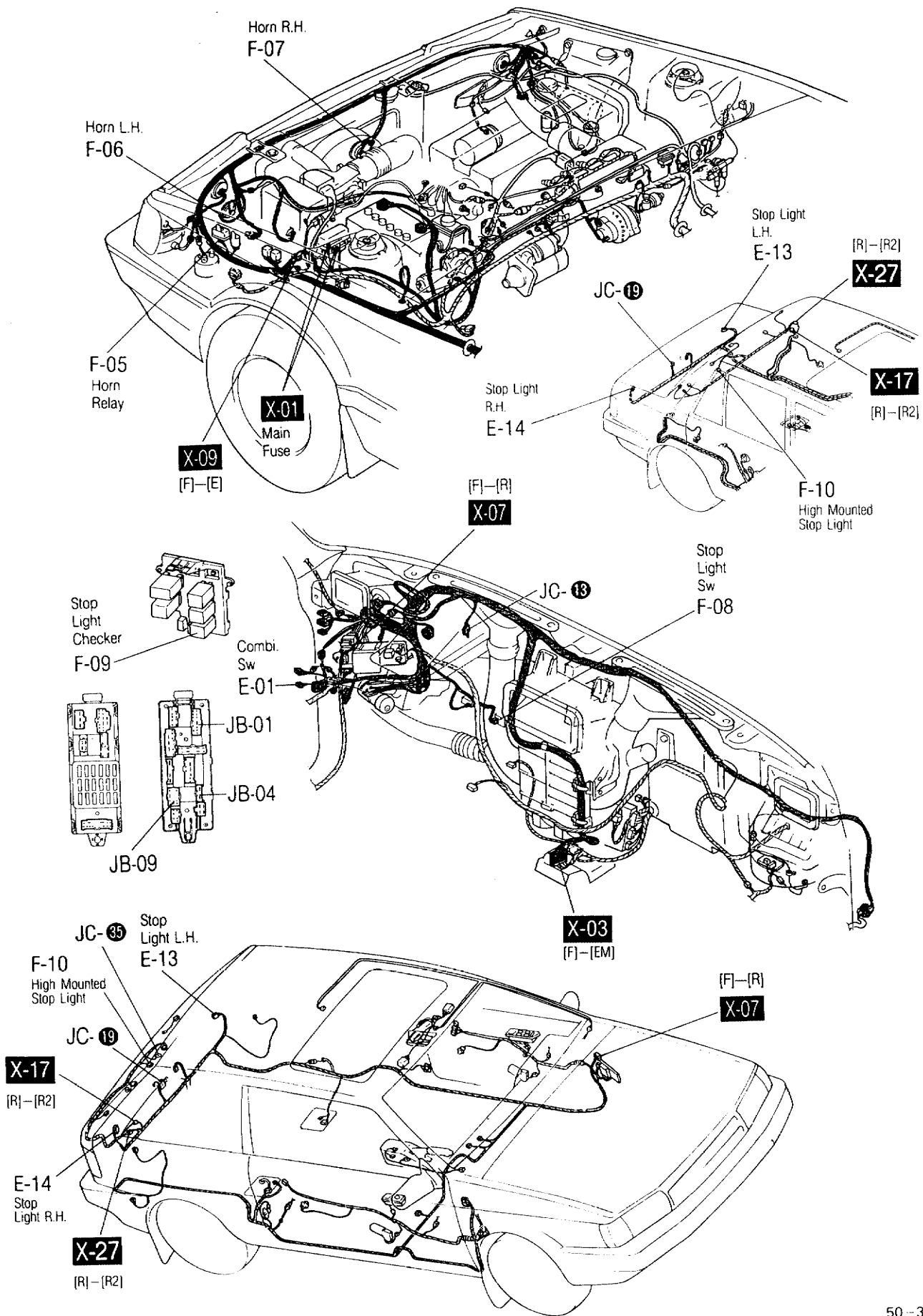


F-b ■ HORN ■ STOP LIGHTS

Note: * ... Not Used

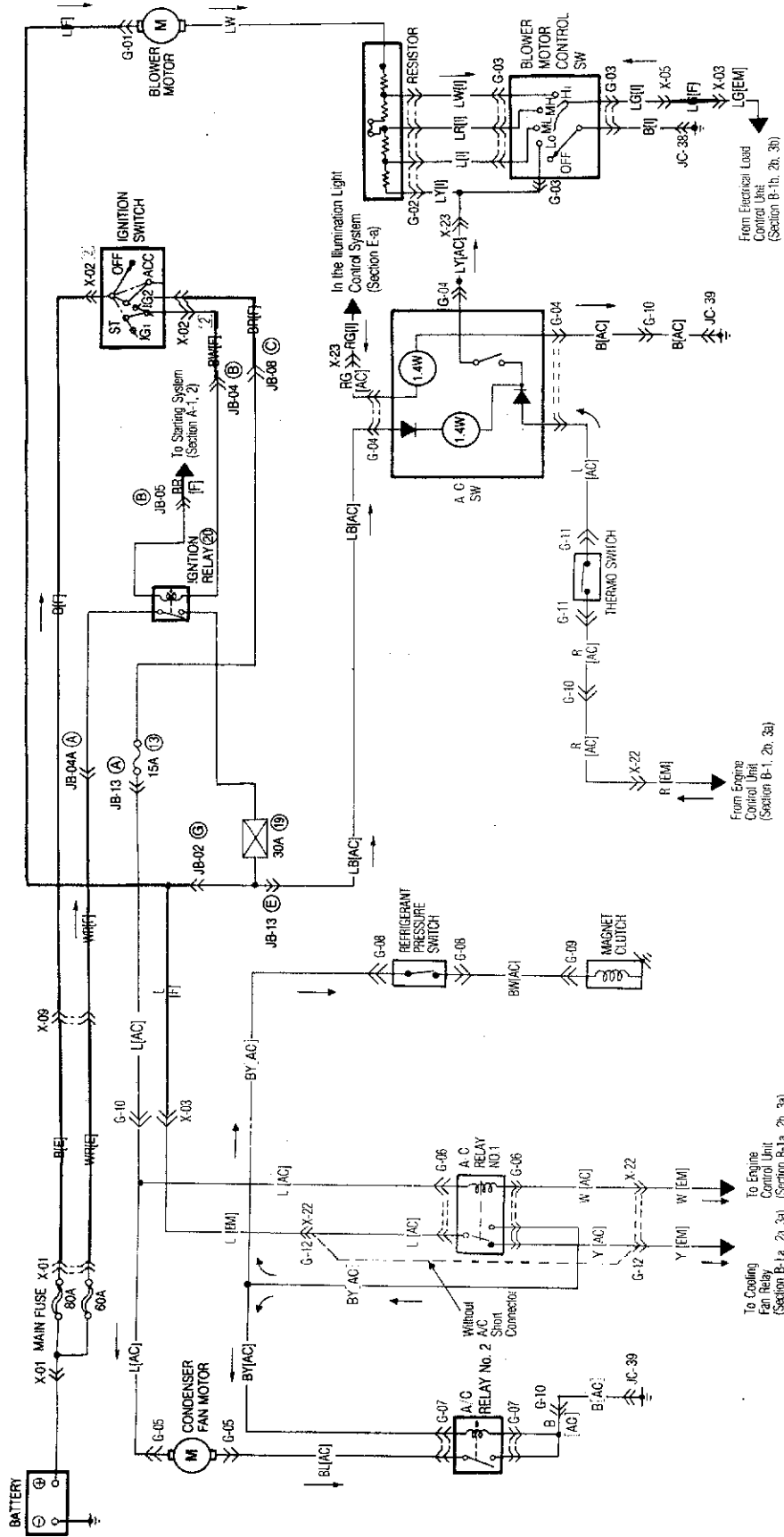


<p>F-05 Horn Relay [F]</p>	<p>F-06 Horn L.H. [F]</p>	<p>F-07 Horn R.H. [F]</p>	<p>F-08 Stop Light Sw [F]</p>
<p>F-09 Stop Light Checker [F]</p>	<p>F-10 High Mounted Stop Light [R2]</p>	<p>E-01 Combination Sw [F]</p>	<p>E-13 R. Combi. Light L.H. [R]</p>
<p>E-14 R. Combi. Light R.H. [R]</p>			

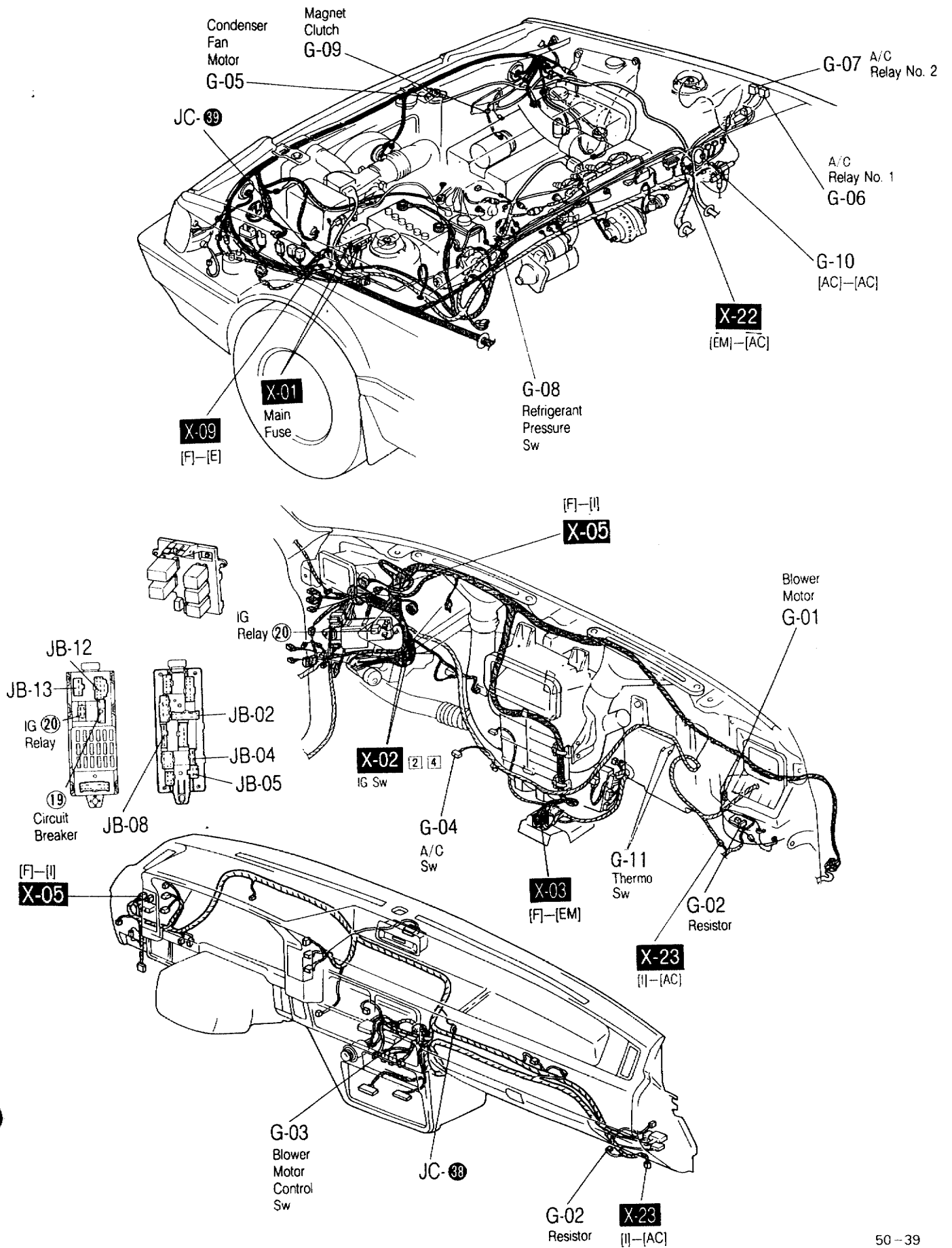


NOTE: * Not Used

G AIR CONDITIONER & HEATER



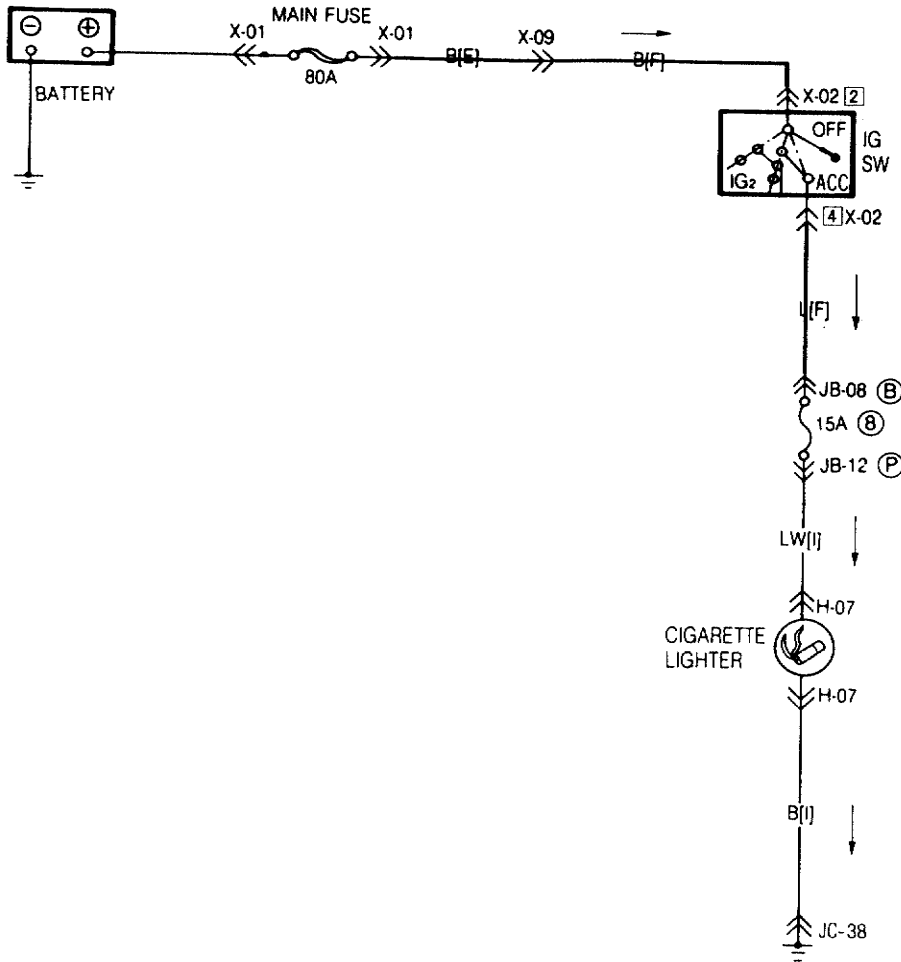
<p>G-01 Blower Motor [F]</p>	<p>G-02 Resistor [I]</p>	<p>G-03 Blower Motor Control Sw [I]</p>	<p>G-04 A/C Switch [AC]</p>	<p>G-05 Condenser Fan Motor [AC]</p>	<p>G-06 A/C Relay No. 1 [AC]</p>	<p>G-07 A/C Relay No. 2 [AC]</p>	<p>G-08 Refrigerant Pressure Switch</p>
<p>G-09 Magnet Clutch [AC]</p>	<p>G-10 Connector Between Air Con. [AC] And Air Con. [AC] Harness</p>	<p>G-11 Thermo Switch [AC]</p>	<p>G-12 Short Connector</p>	<p>Without A/C</p>	<p>Without A/C</p>	<p>Without A/C</p>	<p>Without A/C</p>



H


CIGARETTE LIGHTER

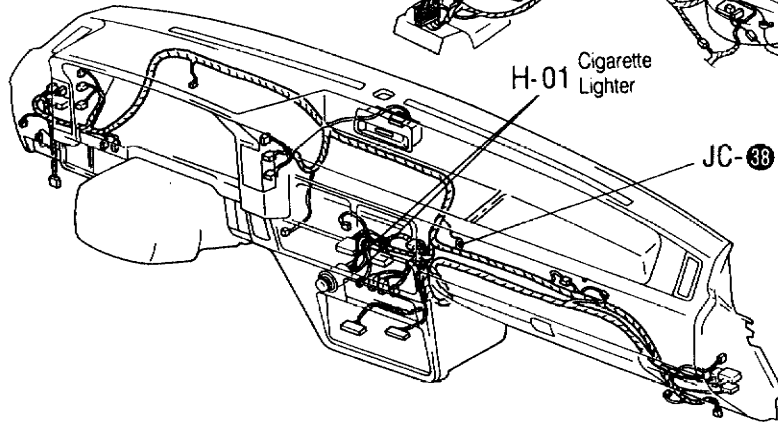
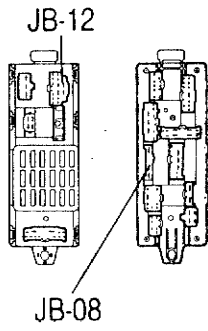
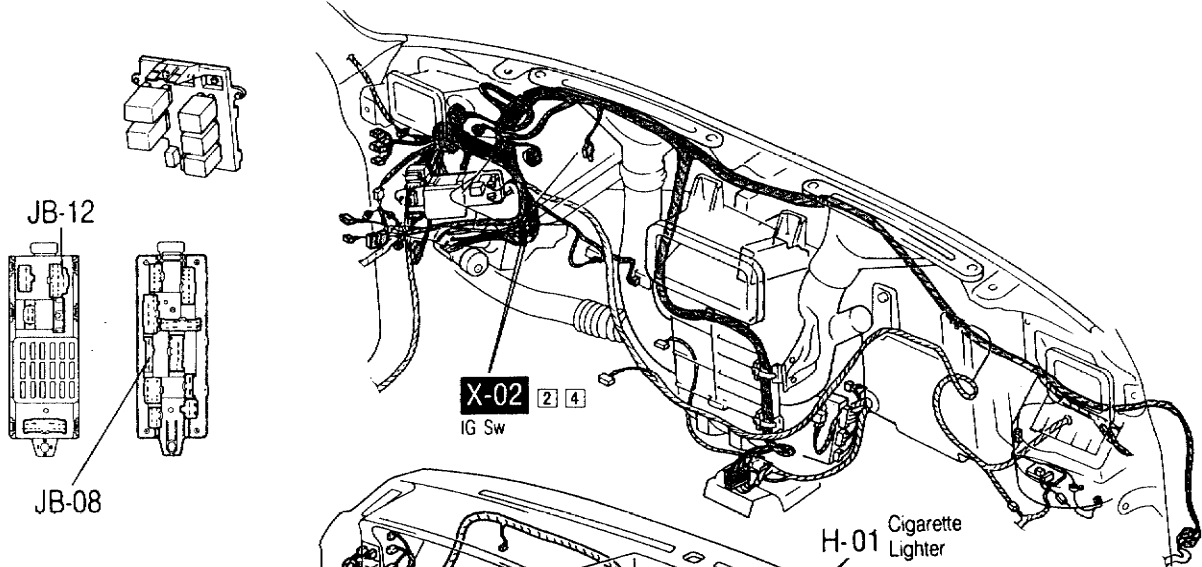
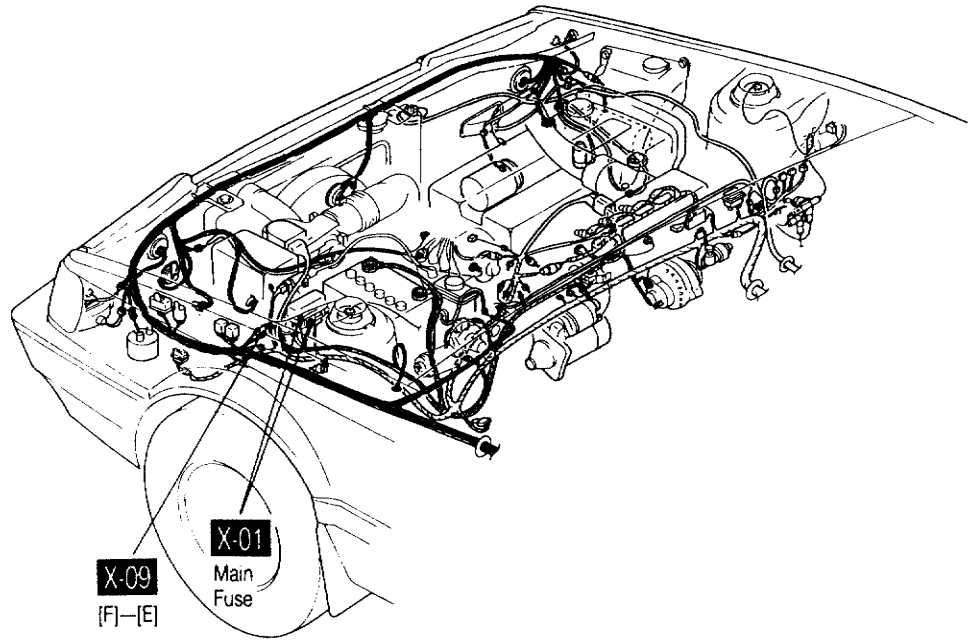
Note:
 ✕ ...Not Used



H-01 Cigarette Lighter [I]

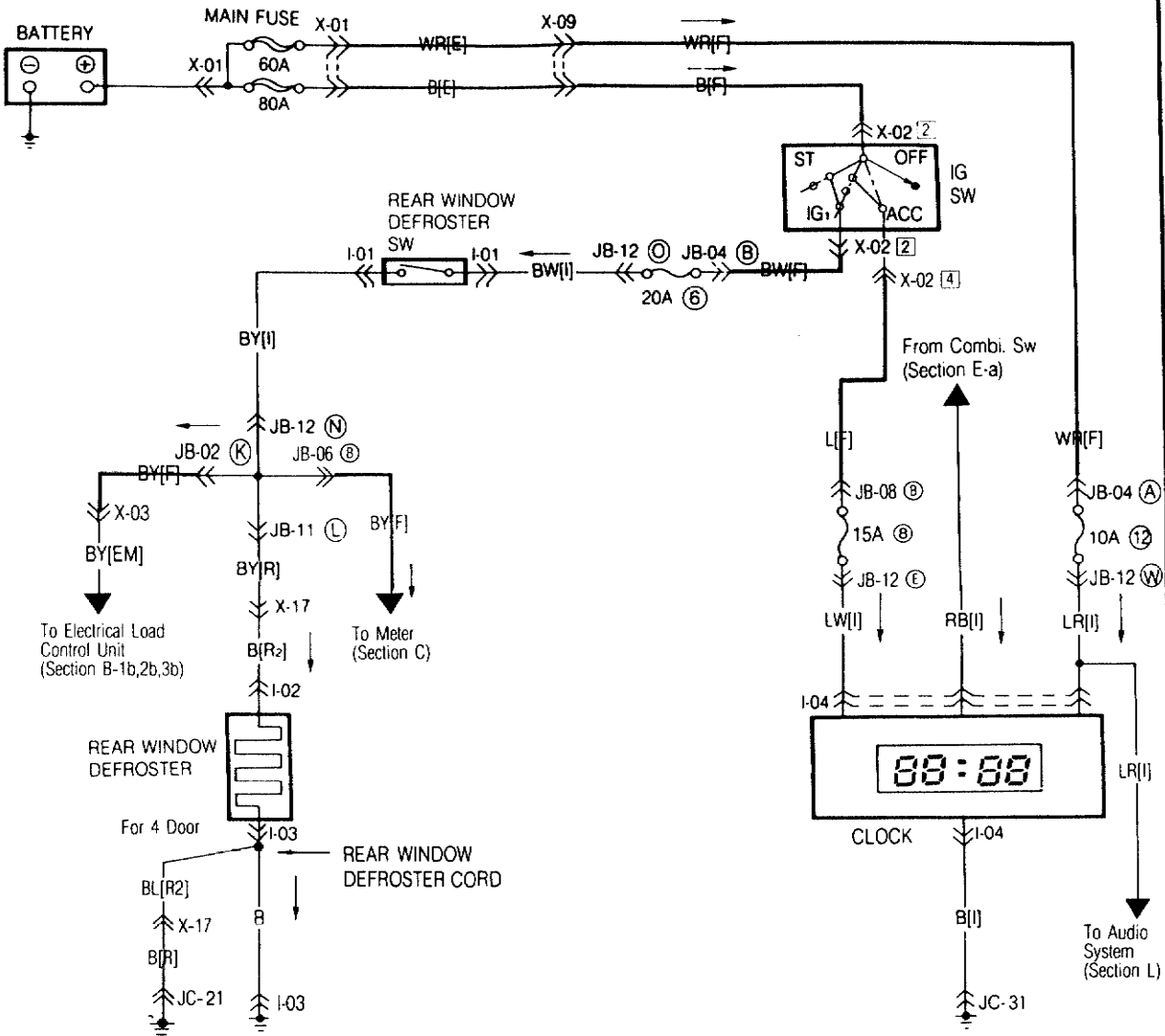


<p>H-01 Cigarette Lighter [I]</p> 			

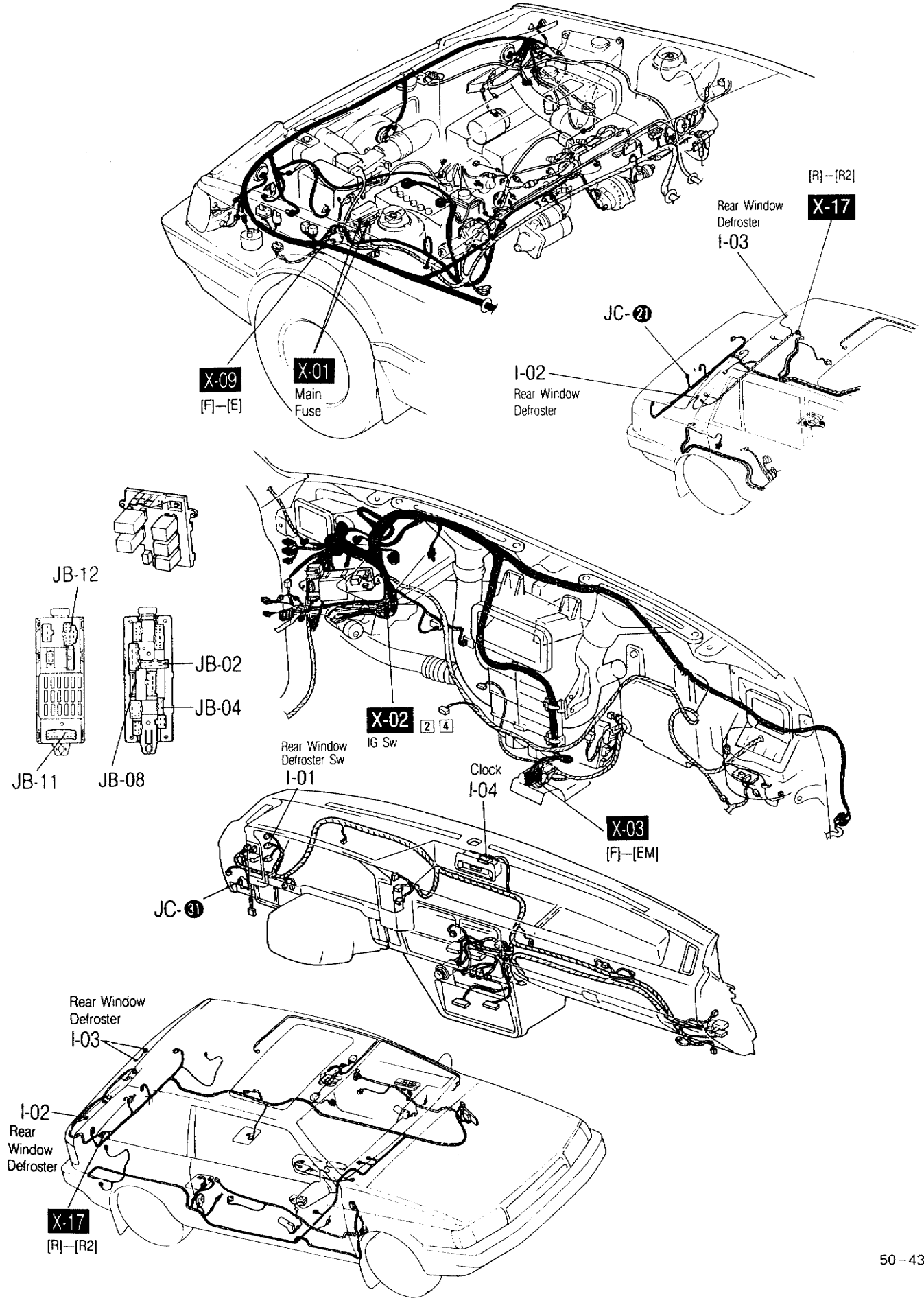


DIGITAL CLOCK ■ REAR WINDOW DEFROSTER

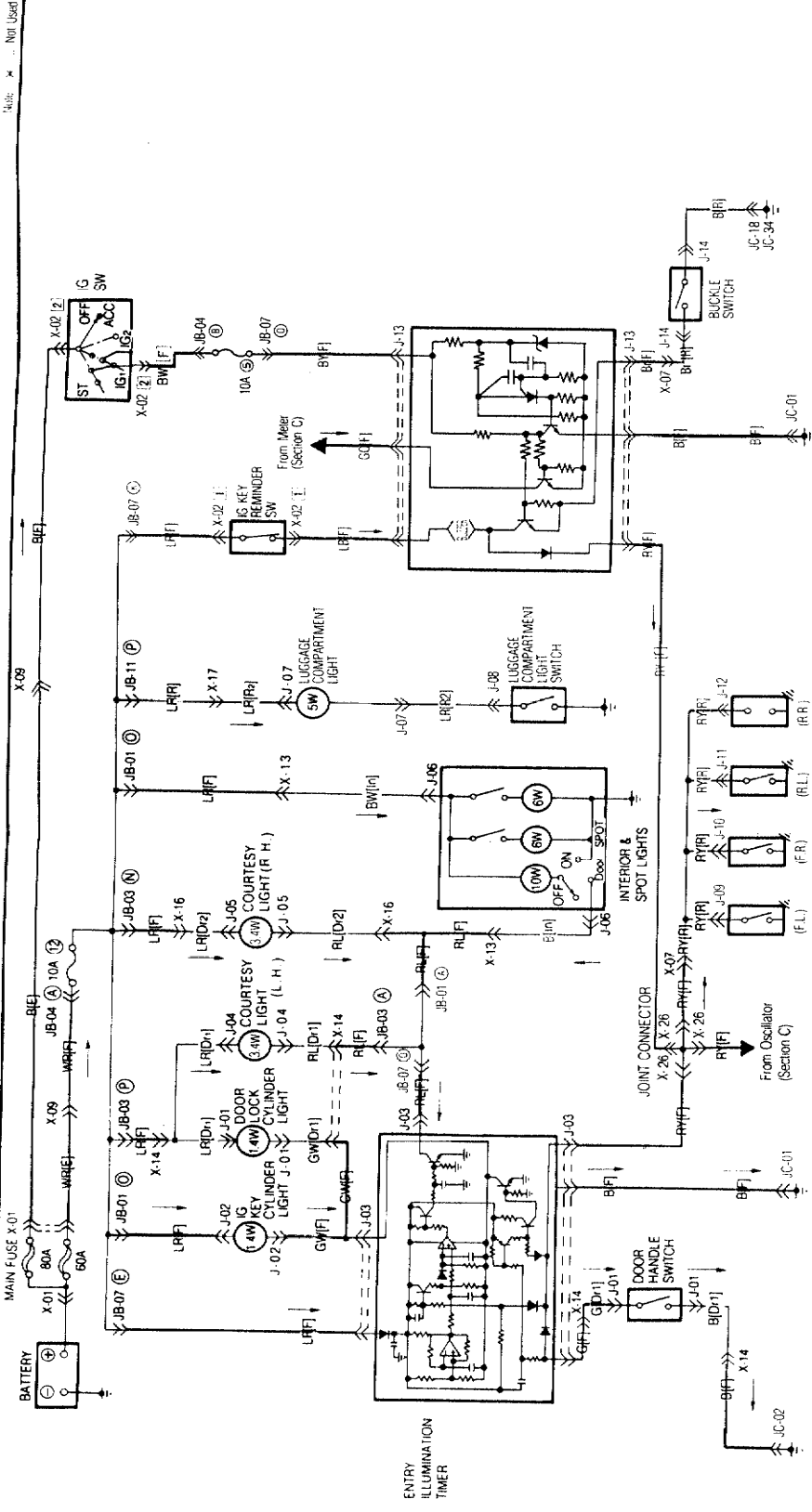
Note:
× ... Not Used



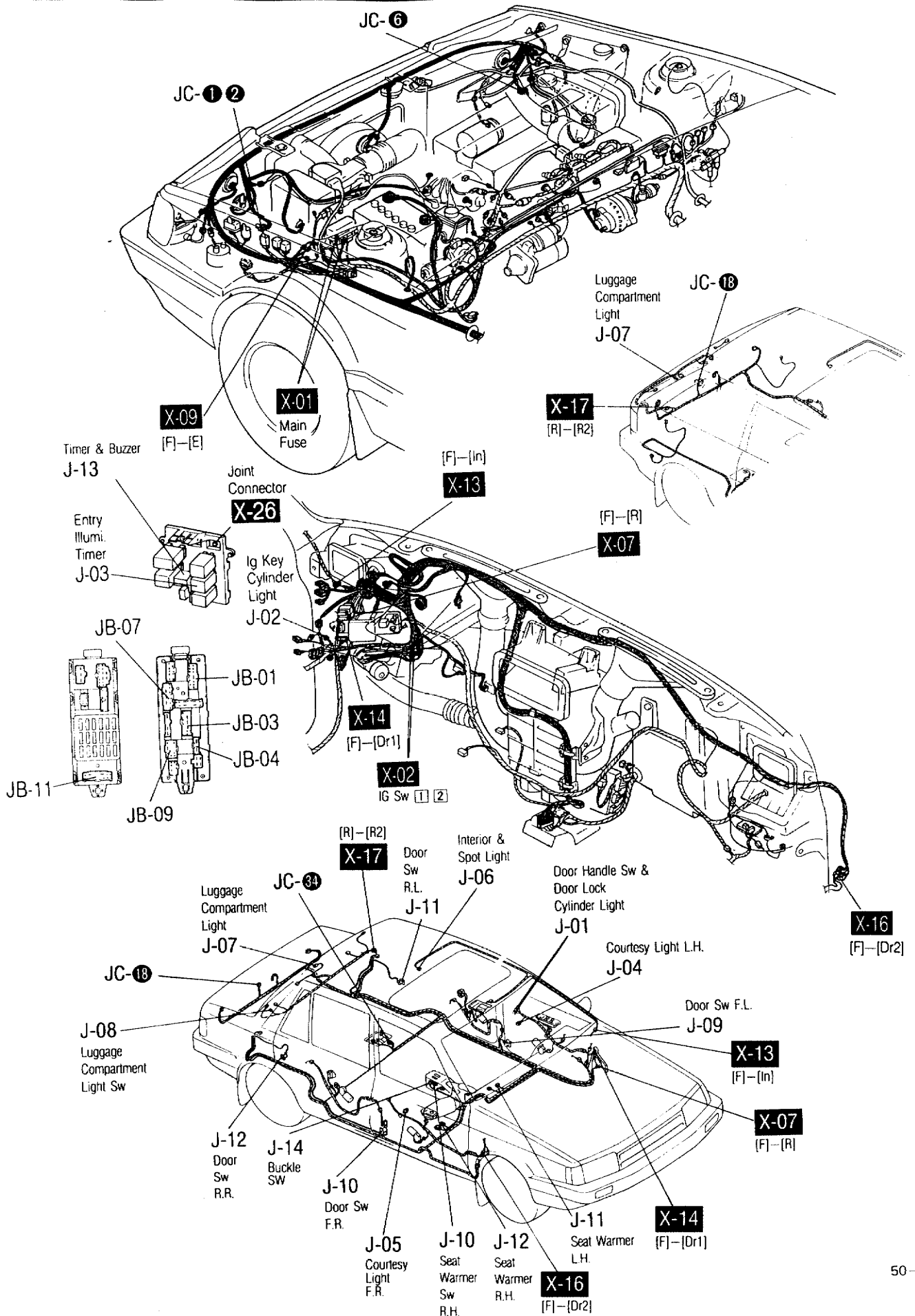
<p>I-01 Rear Window Def. Sw [I]</p>	<p>I-02 Rear Window Def. [R₂]</p>	<p>I-03 Rear Window Def. Cord For 4 Door For 3 & 5 Door</p>	<p>I-04 Clock [I]</p>



J COURTESY LIGHTS ■ DOOR LOCK CYLINDER LIGHT ■ IGNITION KEY CYLINDER LIGHT ■ INTERIOR & SPOT LIGHTS
 ■ LUGGAGE COMPARTMENT LIGHT ■ SEAT BELT WARNING SYSTEM

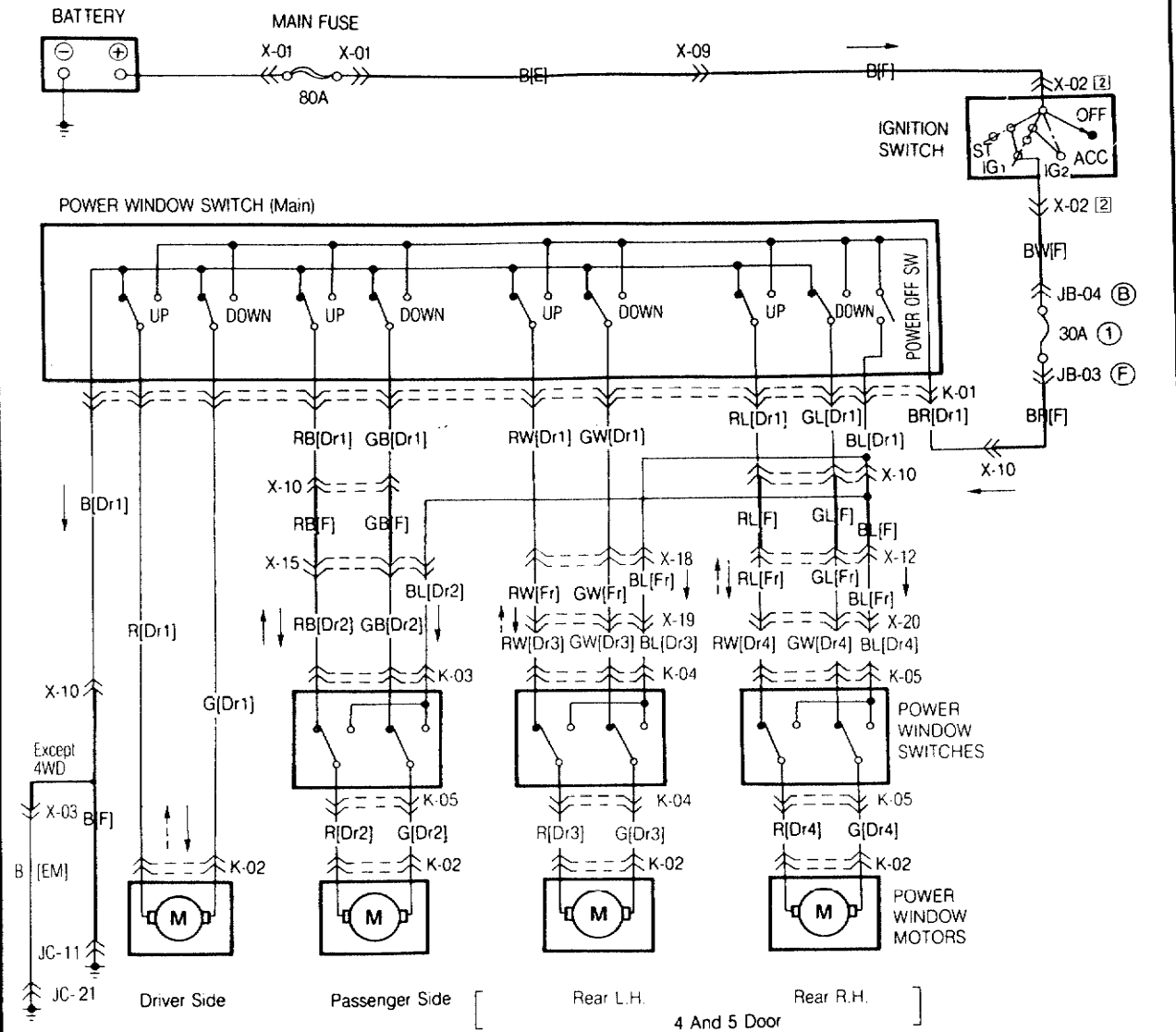


J-01 Door Lock Cylinder Light & Door Handle Sw (D-1)	GW-LR							
J-02 IG Key Cylinder Light (F)	GW-LR							
J-03 Entry Illumination Timer (F)	LR B RY GW RL G							
J-04 Courtesy Light (D-1)	LR RL (L.H.)							
J-05 Courtesy Light (D-2)	LR RL (R.H.)							
J-06 Interior & Spot Lights (In)	RL (B) LR (BW)							
J-07 Luggage Compartment Light (R2)	LR LR (3 & 5 Door) LR LR (4 Door)							

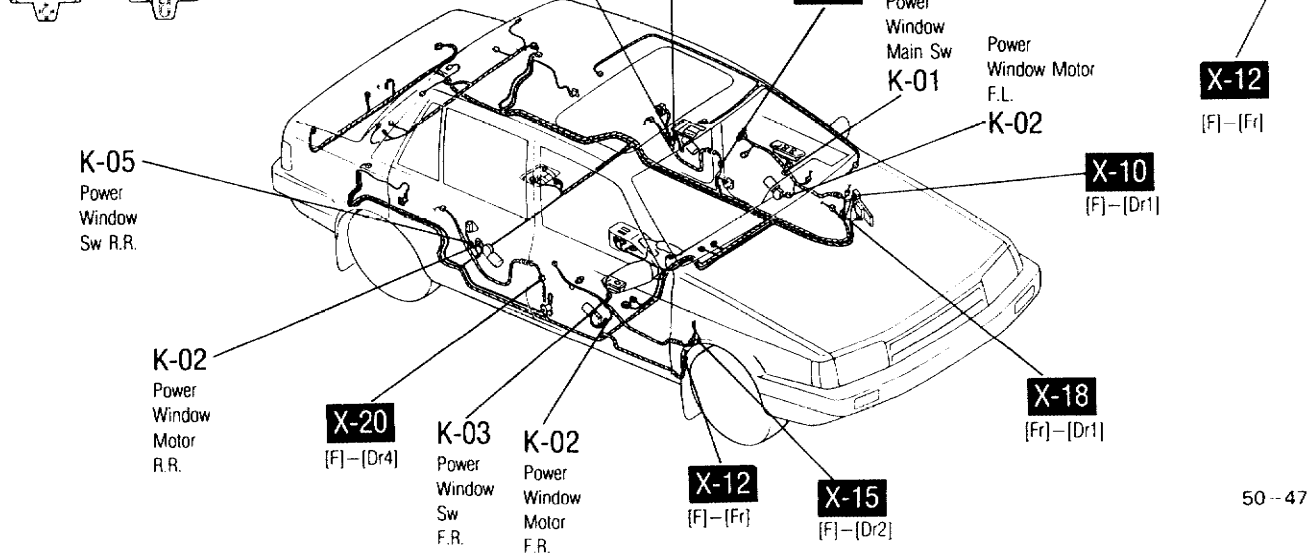
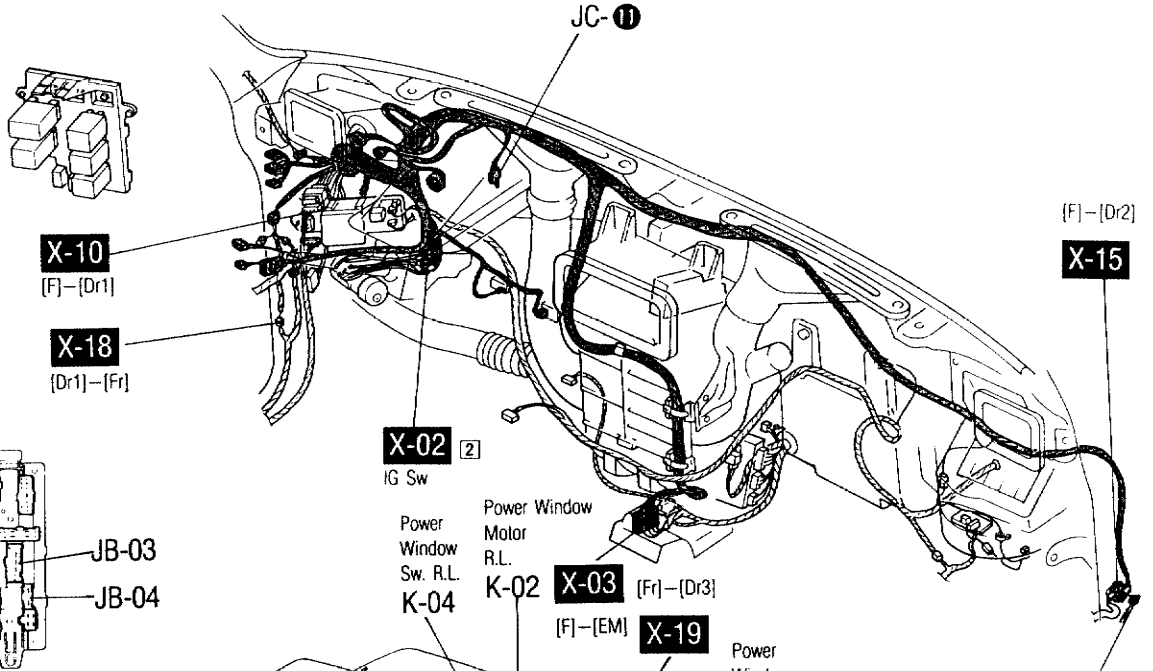
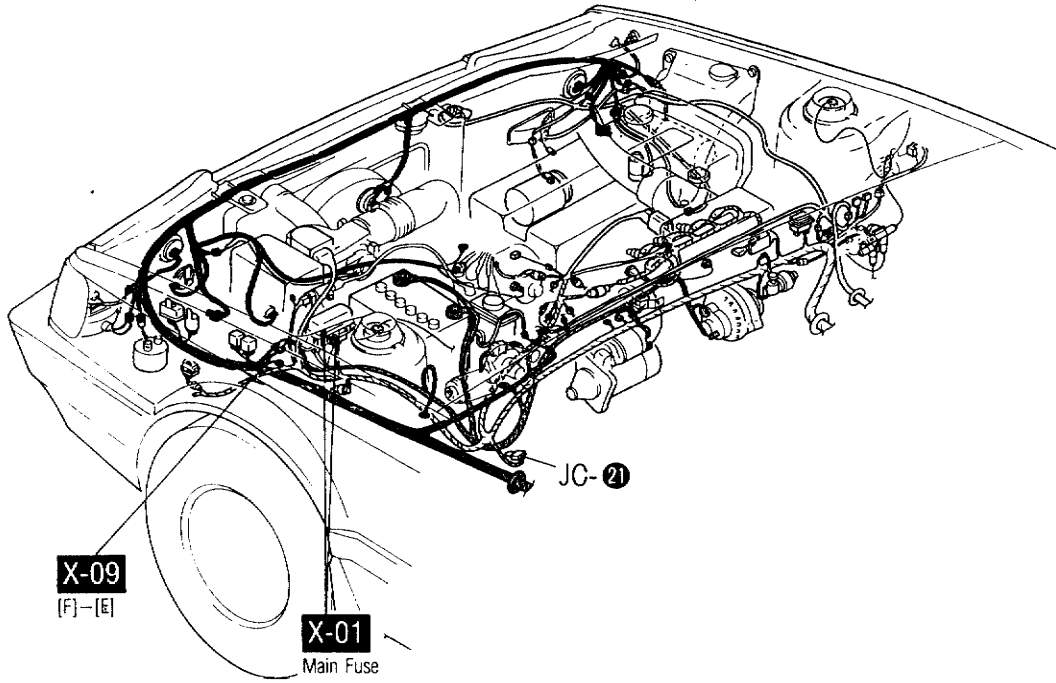


K ■ POWER WINDOW

Note:
 < > .. For 3 Door
 ✕ .. Not Used



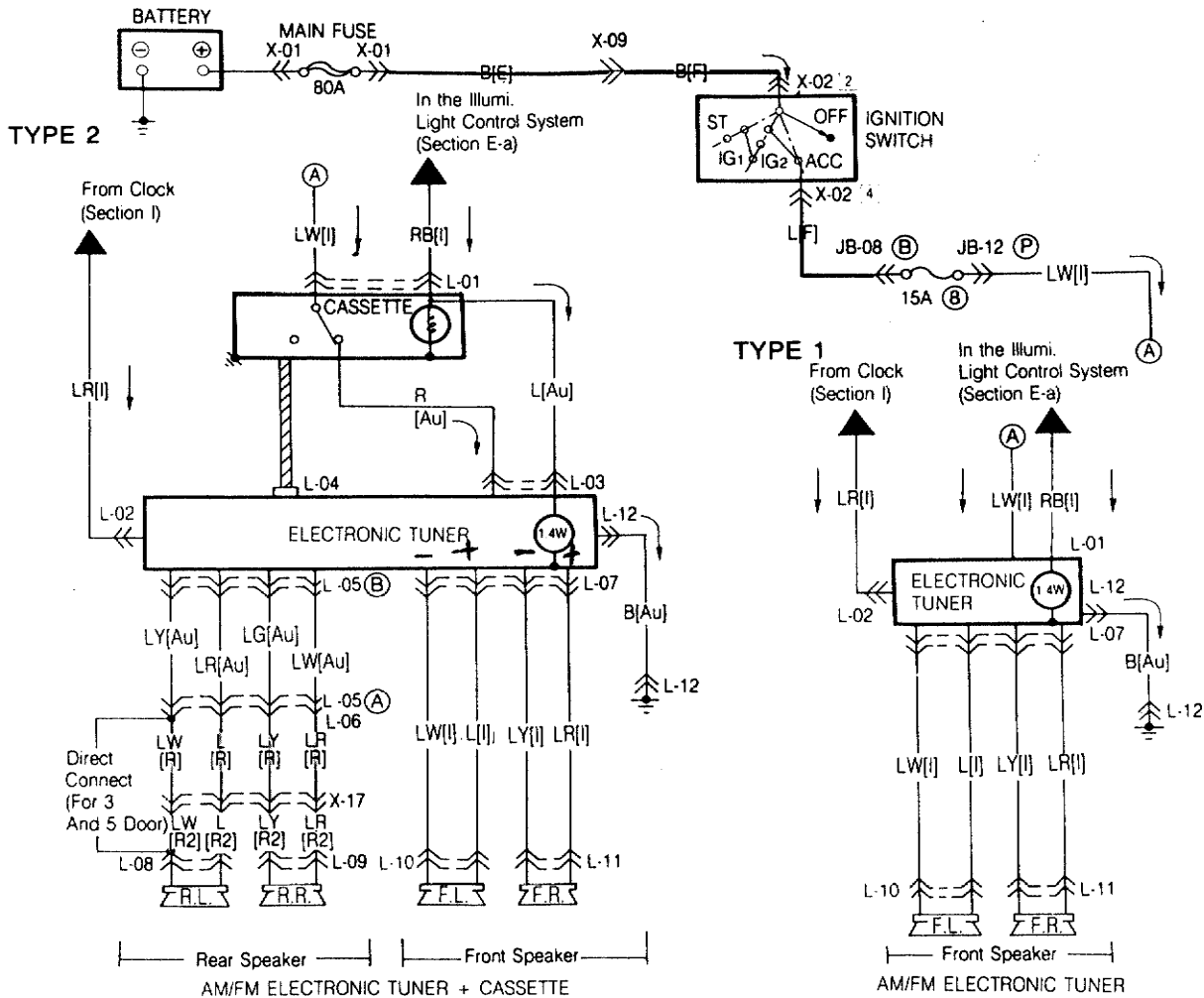
<p>K-01 Power Window Switch [Dr1]</p>	<p>K-02 Power Window Motor [Dr1] [Dr2] [Dr3] [Dr4]</p>	<p>K-03 Power Window Switch [Dr2]</p>	<p>K-04 Power Window Switch [Dr3]</p>
<p>K-05 Power Window Switch [Dr4]</p>			



L

AUDIO SYSTEM

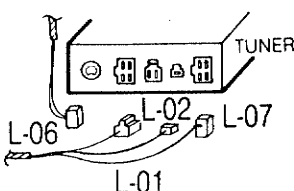
Note:
× ...Not Used



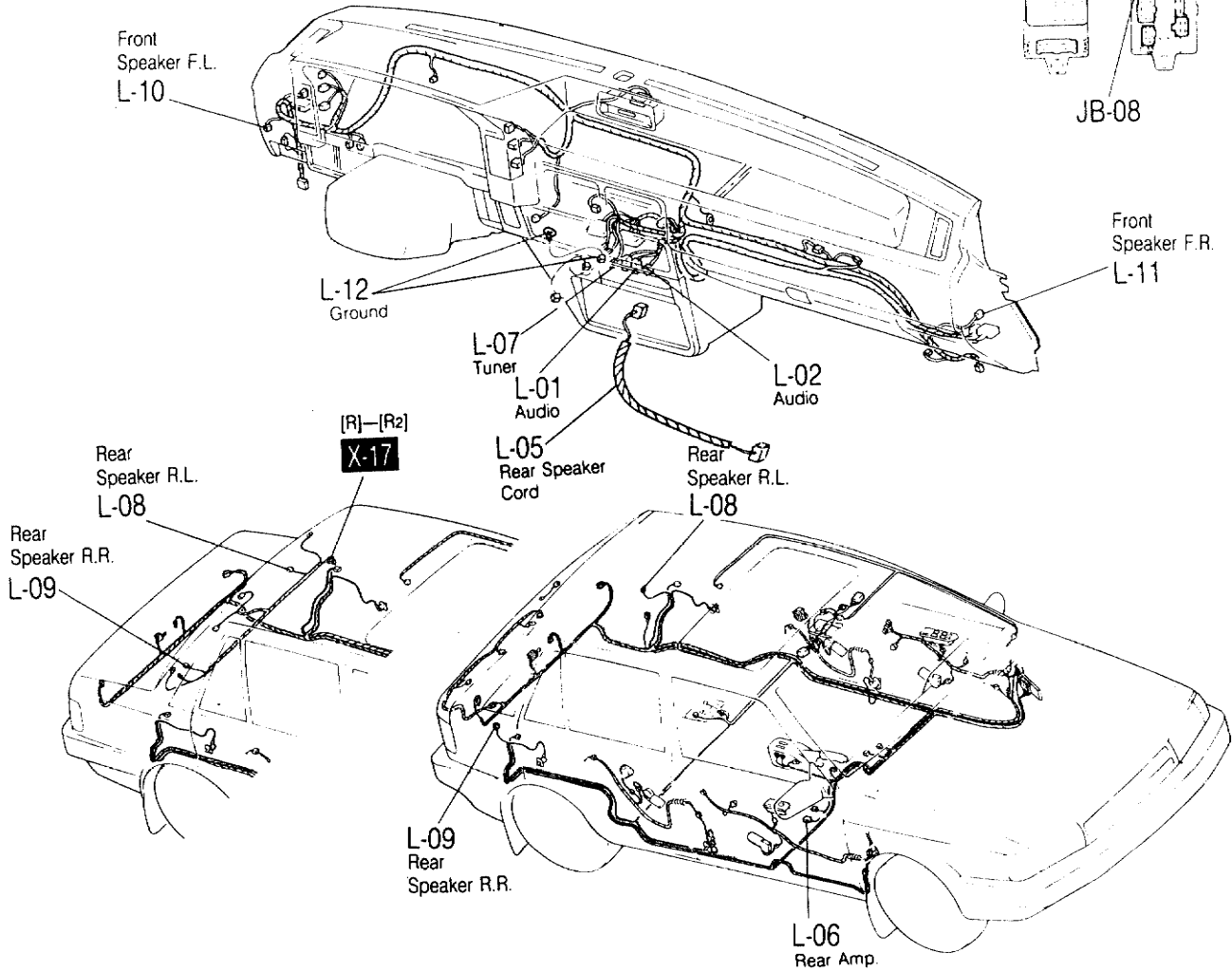
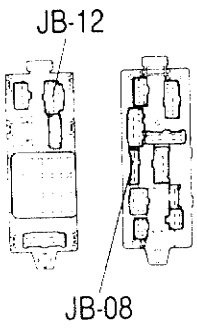
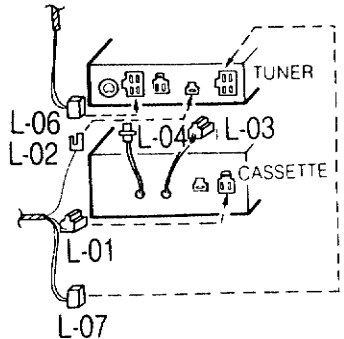
B

<p>L-01 Connector to Audio System [I]</p>	<p>L-02 Connector to Audio System [I]</p>	<p>L-03 Connector to Audio System [Au]</p>	<p>L-04 Connector to Audio System [Au]</p>								
<p>L-05 Rear Speaker Cord [Au]</p>	<p>L-06 Rear Amp. [R]</p>	<p>L-07 Tuner [I]</p>									
<p>L-08 Rear Speaker R.L. [R], [R2]</p>	<p>L-09 Rear Speaker R.R. [R], [R2]</p>	<p>L-10 Front Speaker F.L. [I]</p>	<p>L-11 Front Speaker F.R. [I]</p>								
<p>L-12 Ground [Au]</p>	<p>BLUE CONNECTOR REAR SPEKRS.</p> <p>L+ <table border="1" style="display: inline-table; vertical-align: middle;"> <tr><td>L</td><td>LR</td></tr> <tr><td>LW</td><td>LB</td></tr> </table> R+ L- <table border="1" style="display: inline-table; vertical-align: middle;"> <tr><td>L</td><td>LR</td></tr> <tr><td>LW</td><td>LB</td></tr> </table> R-</p>			L	LR	LW	LB	L	LR	LW	LB
L	LR										
LW	LB										
L	LR										
LW	LB										

TYPE 1

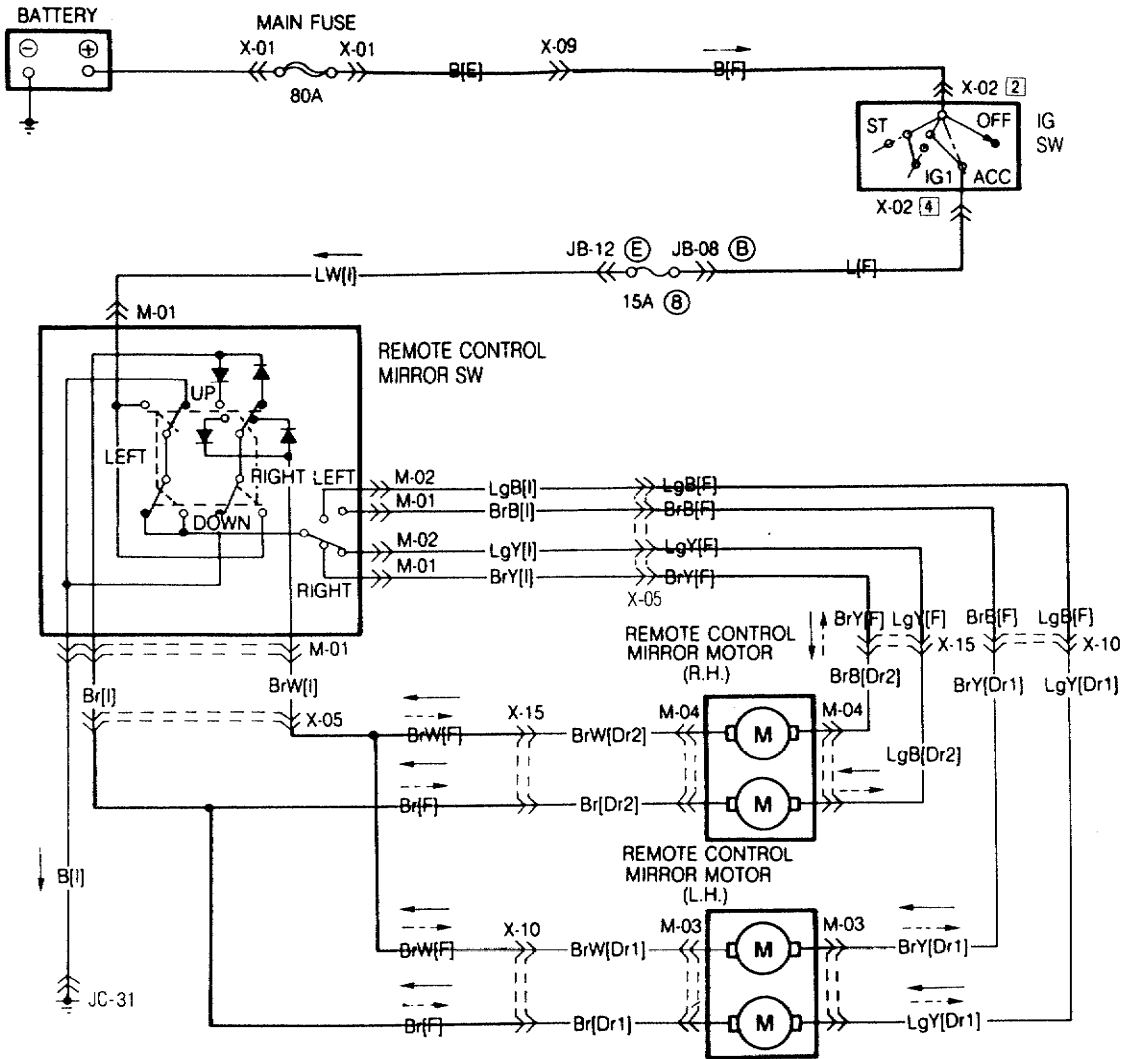


TYPE 2

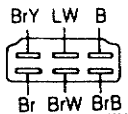


M

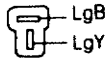
REMOTE CONTROL MIRROR



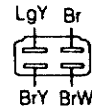
M-01 Remote Control Mirror Sw [I]



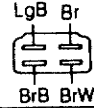
M-02 Remote Control Mirror Sw [I]

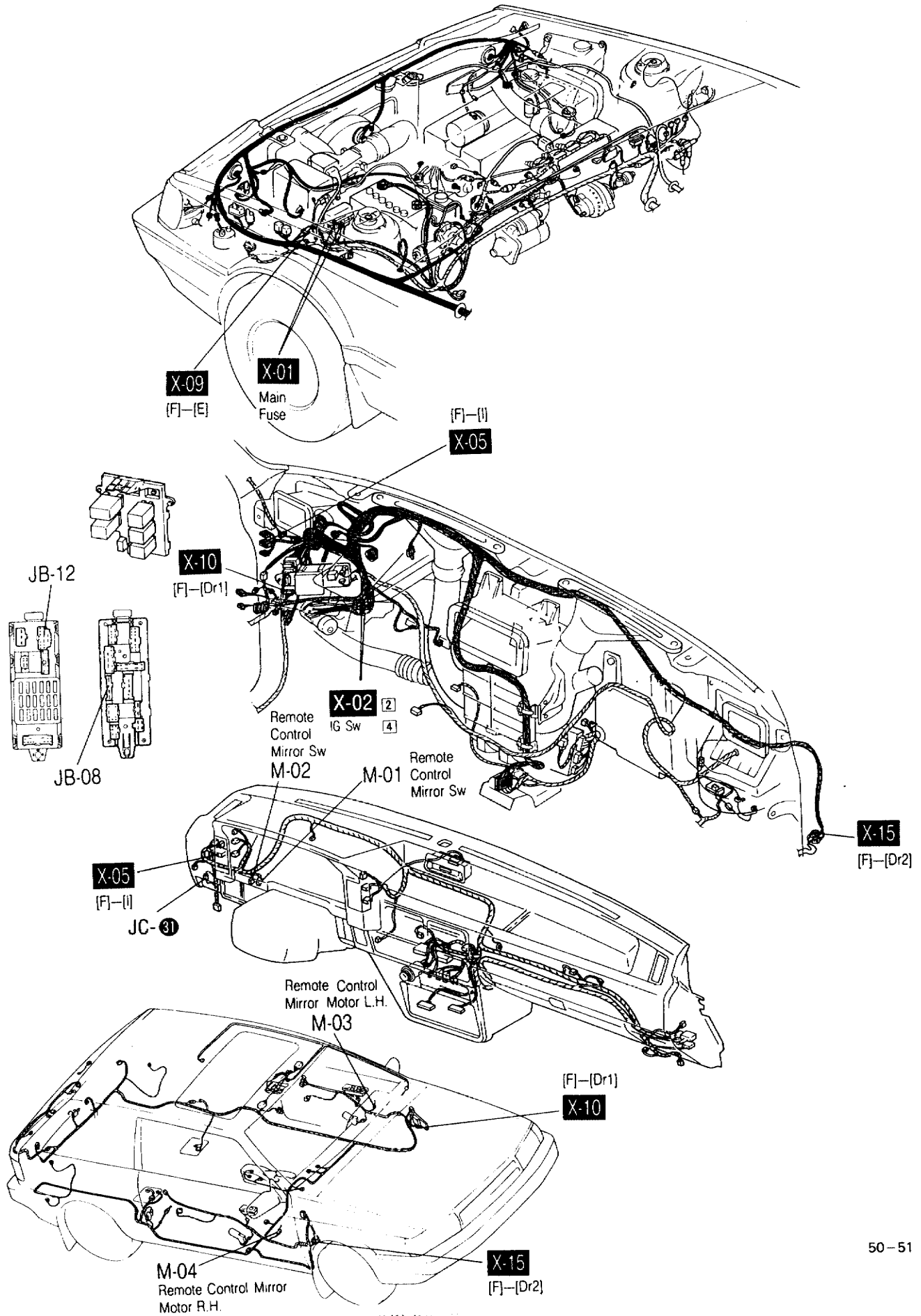


M-03 Remote Control Mirror Motor L.H. [Dr1]



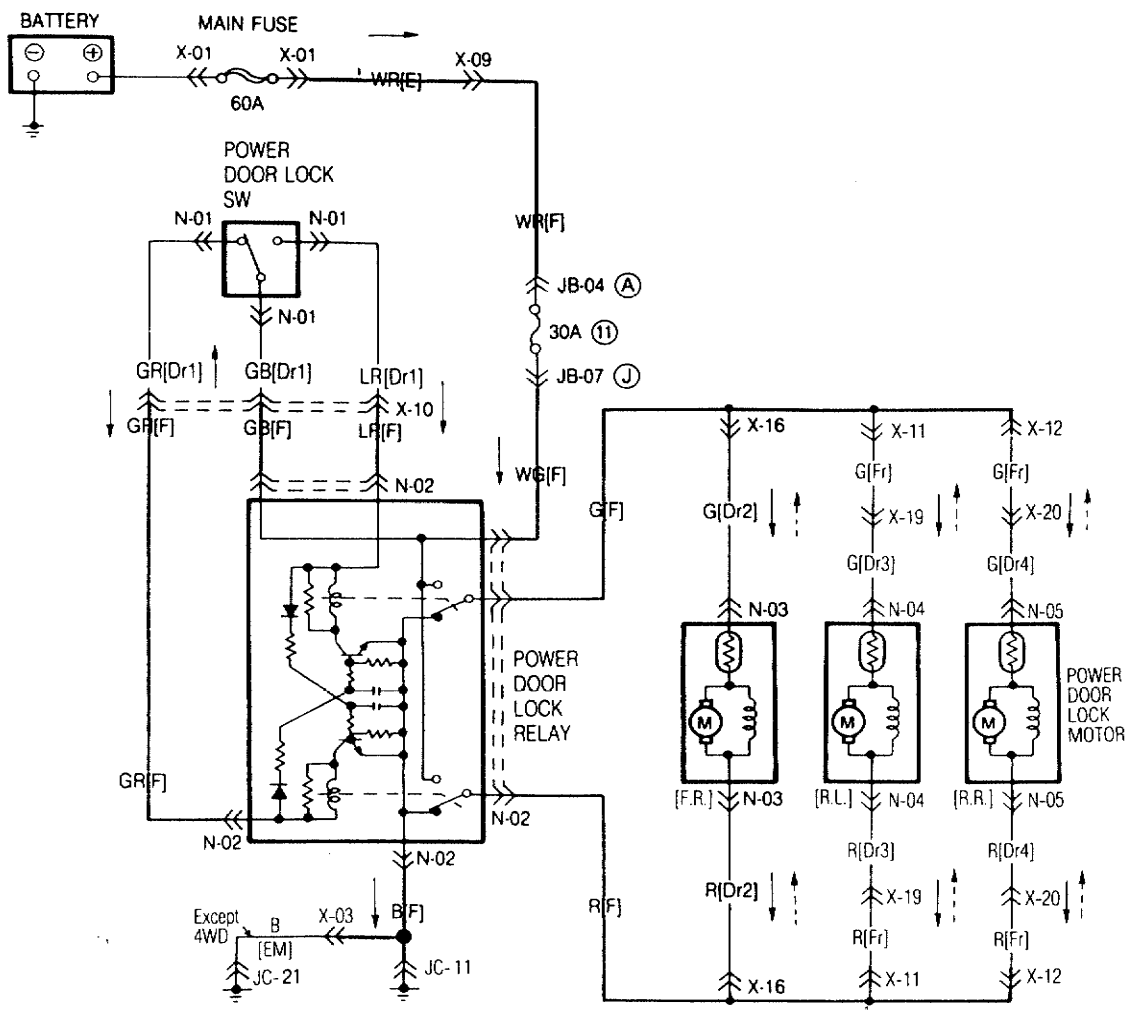
M-04 Remote Control Mirror Motor R.H. [Dr2]



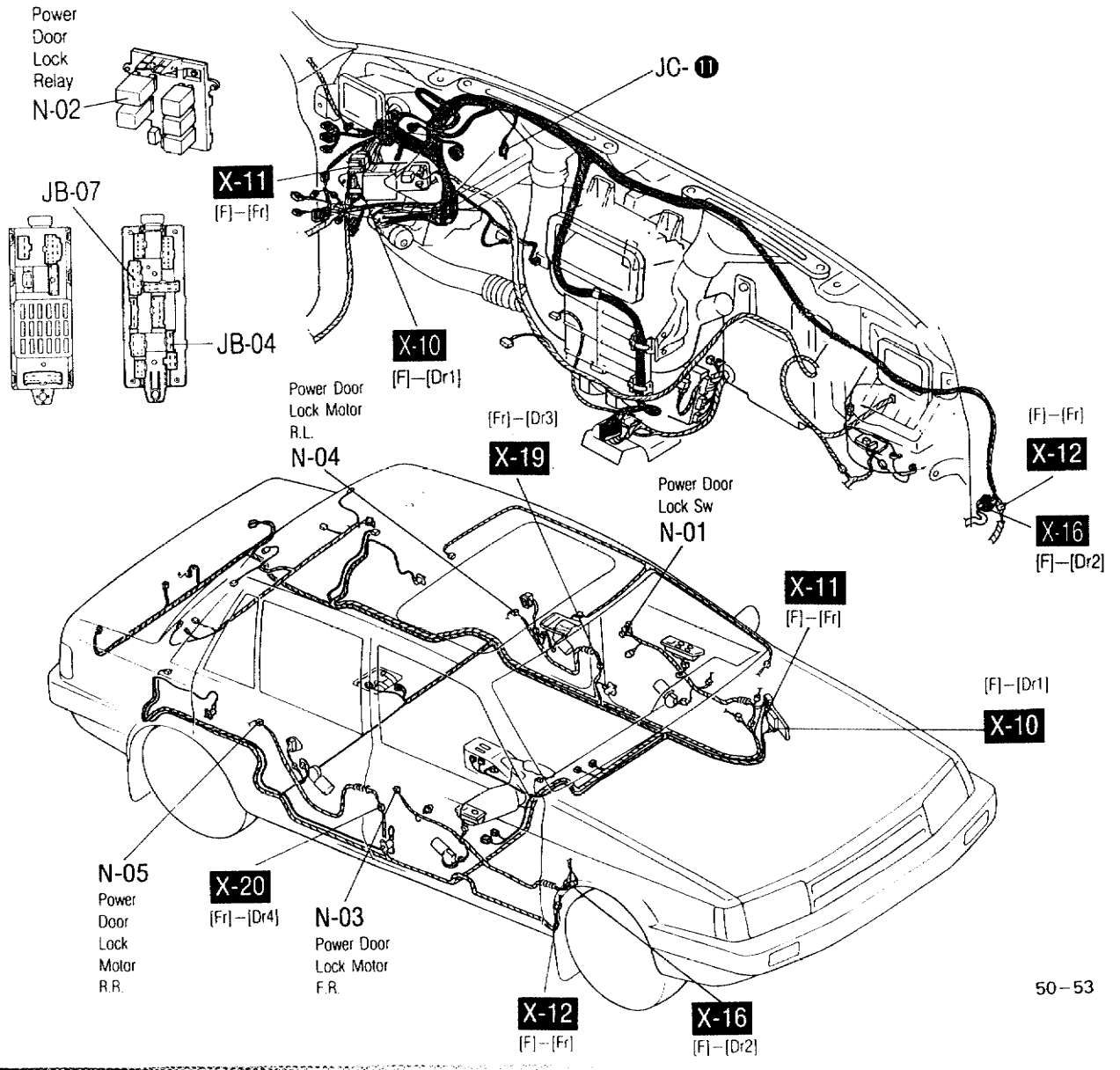
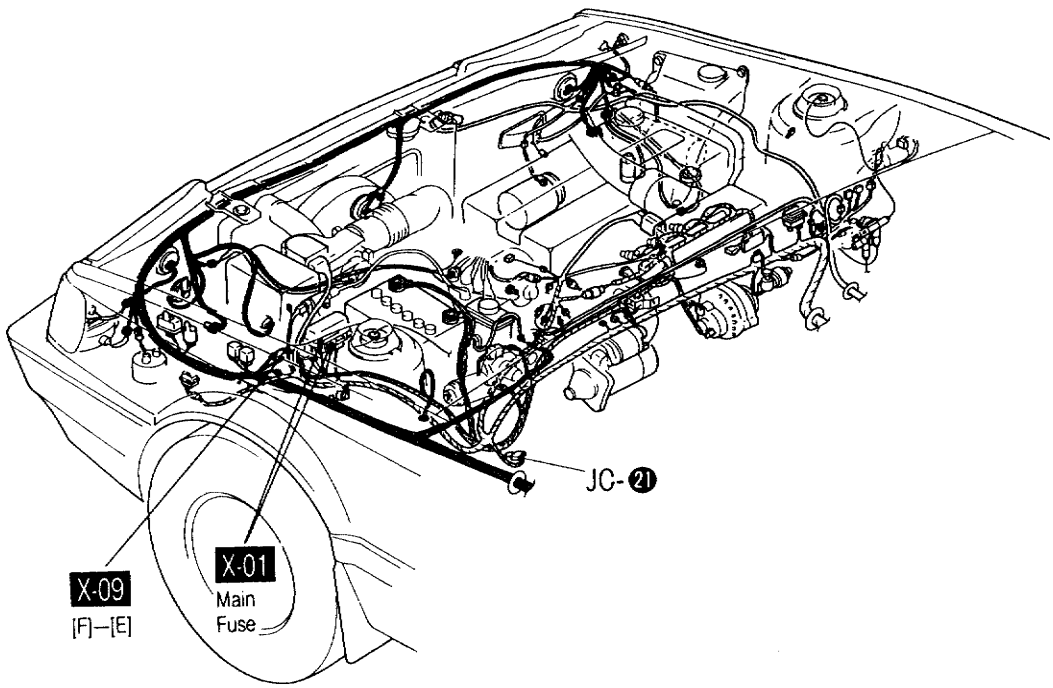


N ■ POWER DOOR LOCK

Note: * ... Not Used

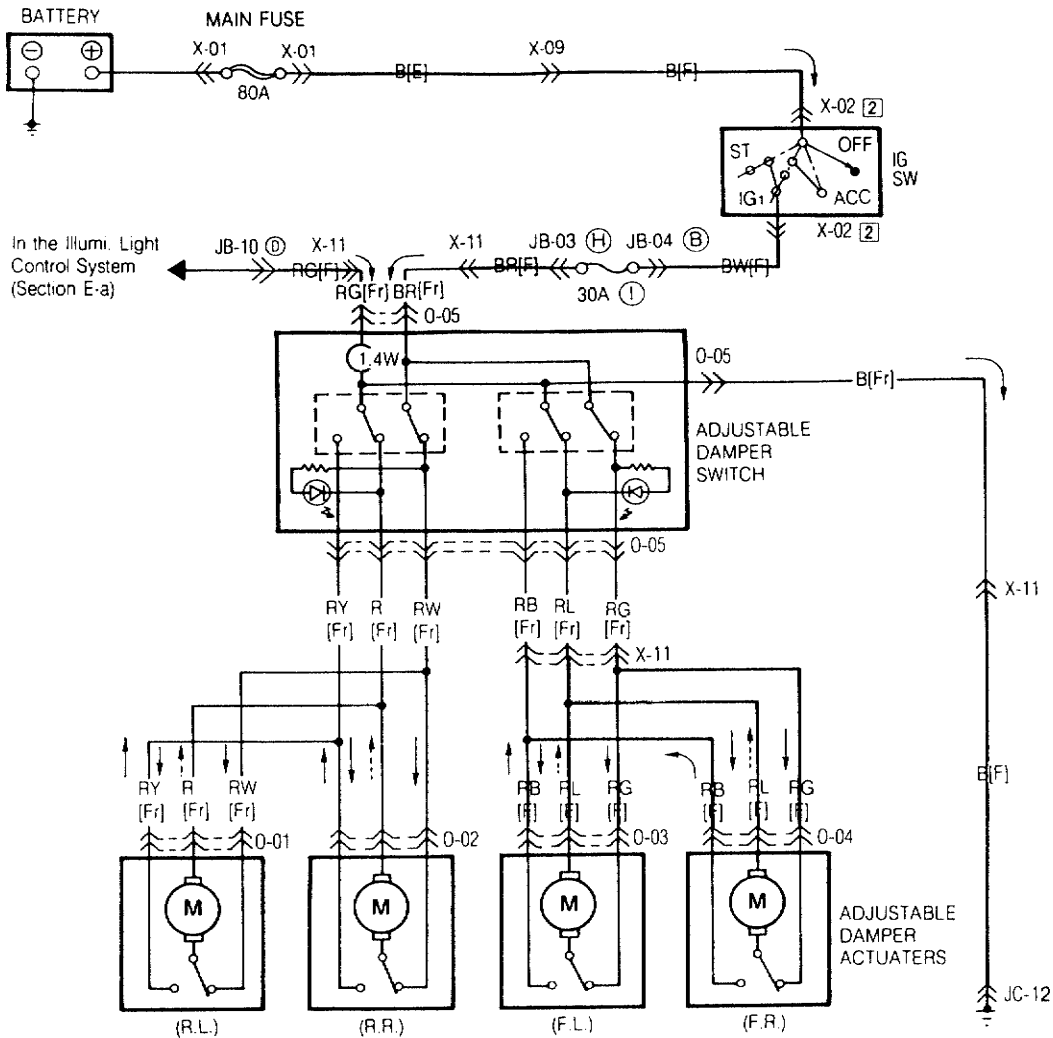


<p>N-01 Power Door Lock Switch [Dr1]</p>	<p>N-02 Power Door Lock Relay [F]</p>	<p>N-03 Power Door Lock Motor F.R. [Dr2]</p>	<p>N-04 Power Door Lock Motor R.L. [Dr3]</p>
<p>N-05 Power Door Lock Motor R.R. [Dr4]</p>			



0

ADJUSTABLE SHOCK ABSORBER



0-01 Adjustable Damper Actuator R.L. [Fr]



0-02 Adjustable Damper Actuator R.R. [Fr]



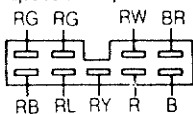
0-03 Adjustable Damper Actuator F.L. [F]

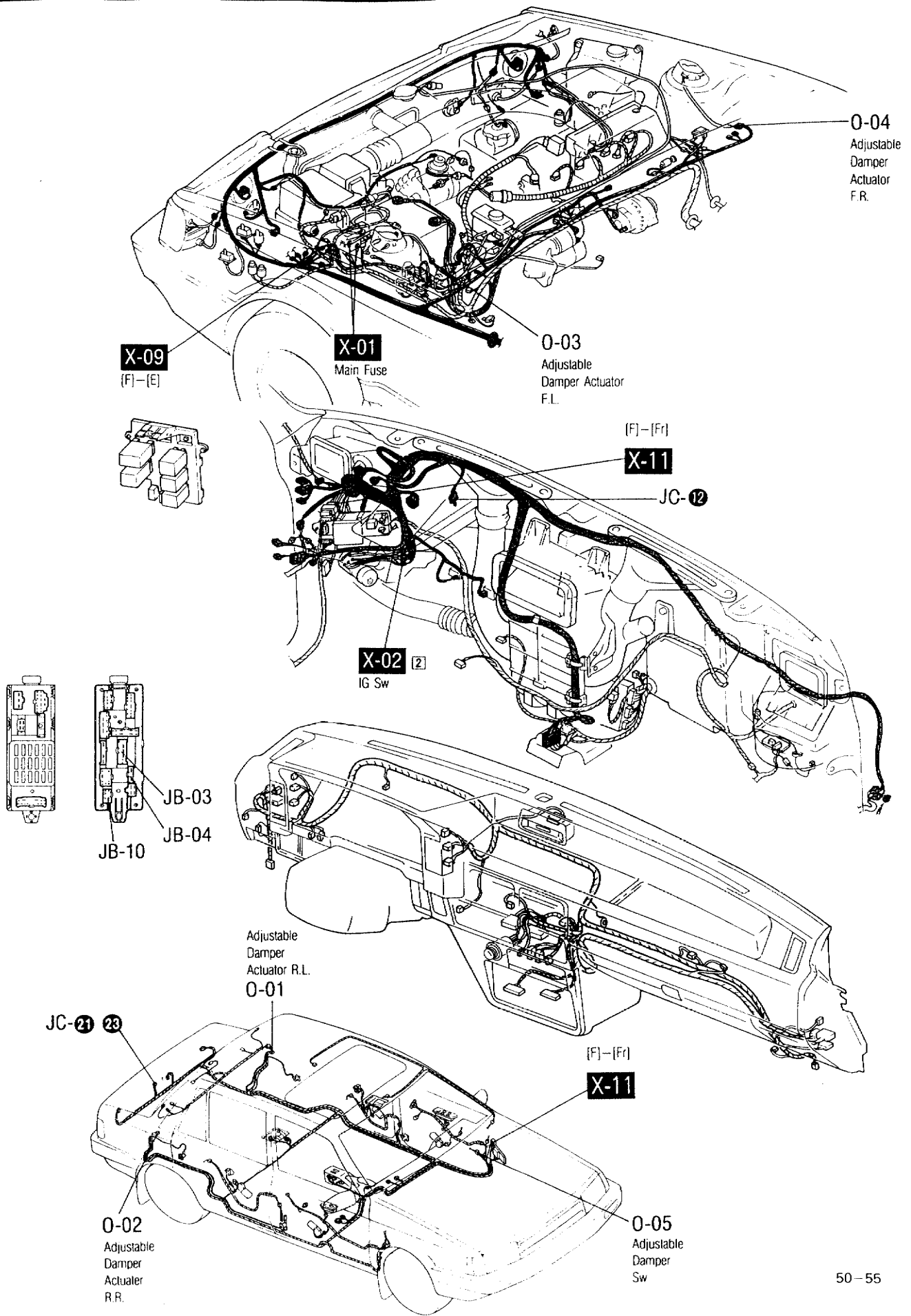


0-04 Adjustable Damper Actuator F.R. [F]



0-05 Adjustable Damper Switch [Fr]

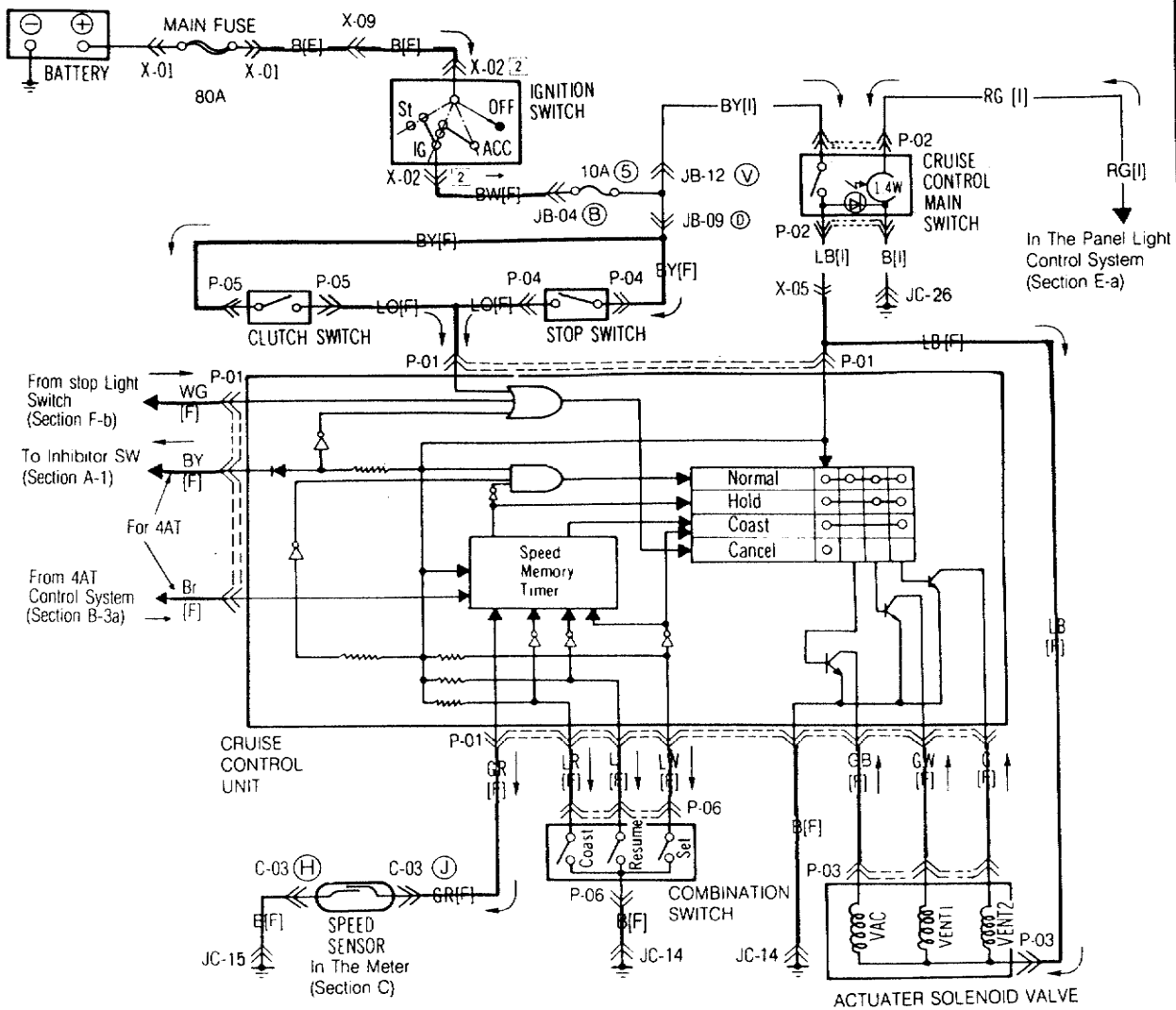




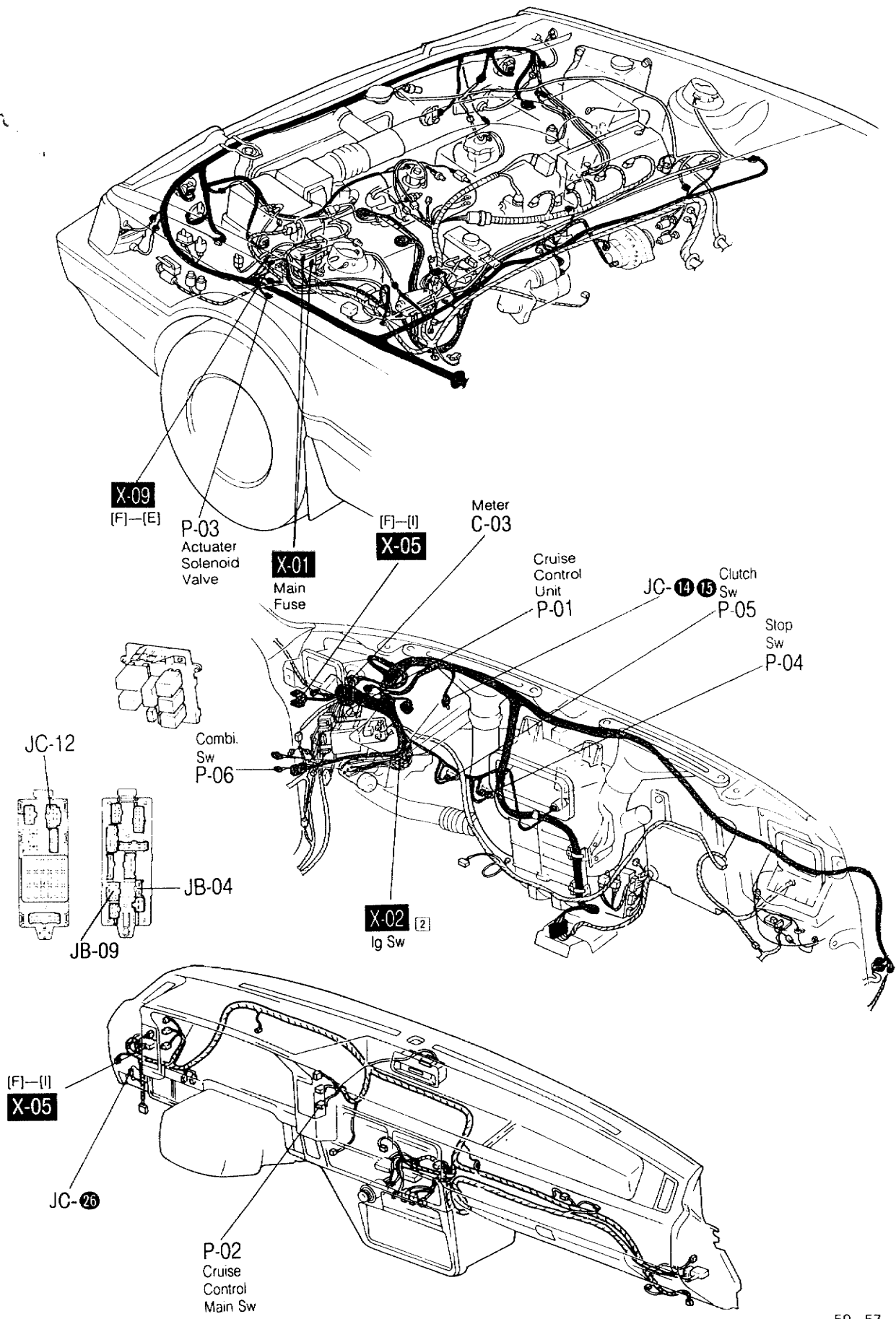
P-1

For Non Turbo
CRUISE CONTROL SYSTEM

Note: ...Not Used



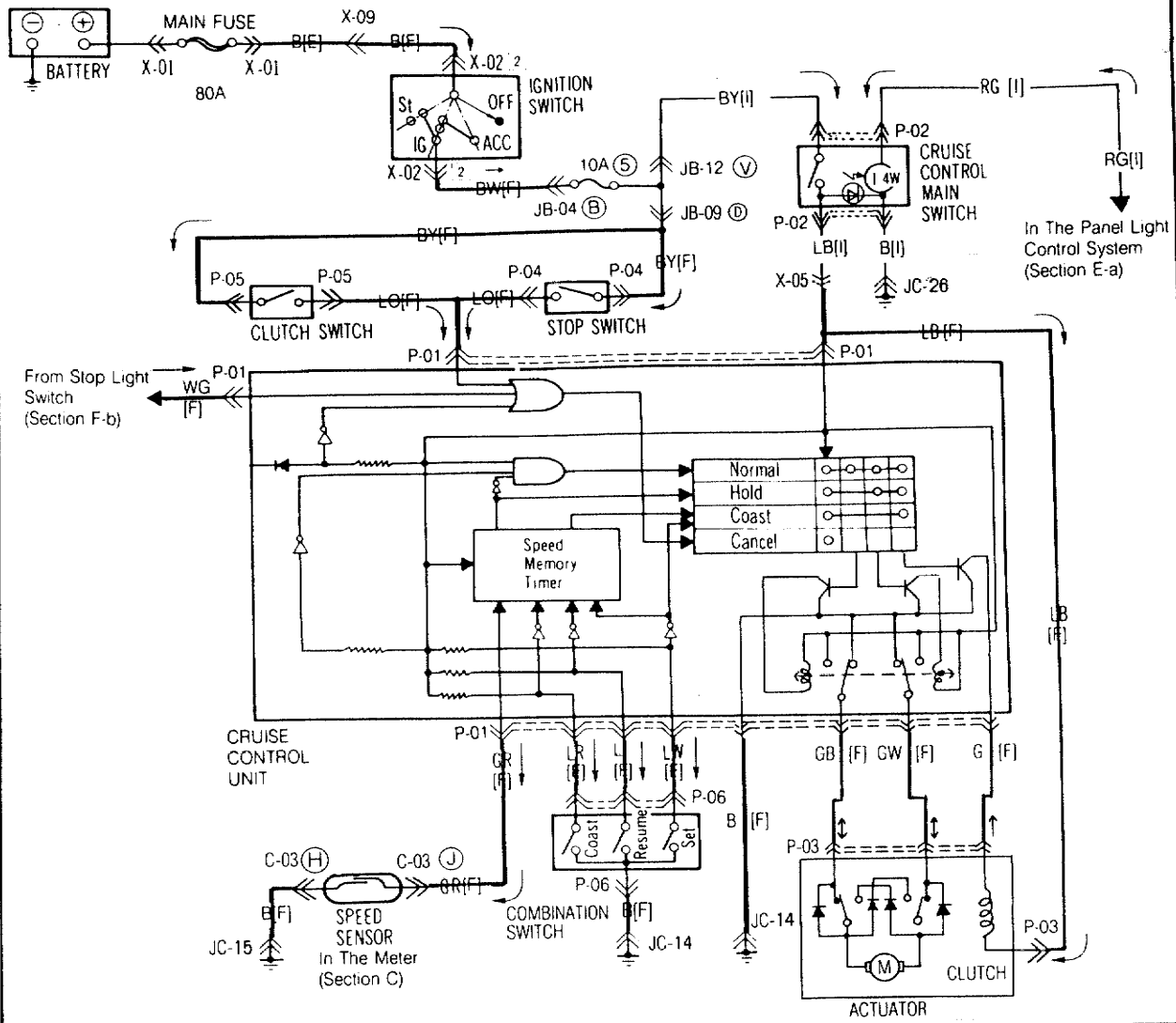
<p>P-01 Cruise Control Unit [F] () ... 4AT</p>		<p>P-02 Cruise Control Main Switch [I]</p>	<p>P-03 Actuator Solenoid Valve [F]</p>
<p>P-04 Stop Switch [F]</p>	<p>P-05 Clutch Switch [F]</p>	<p>P-06 Combination Switch [F]</p>	



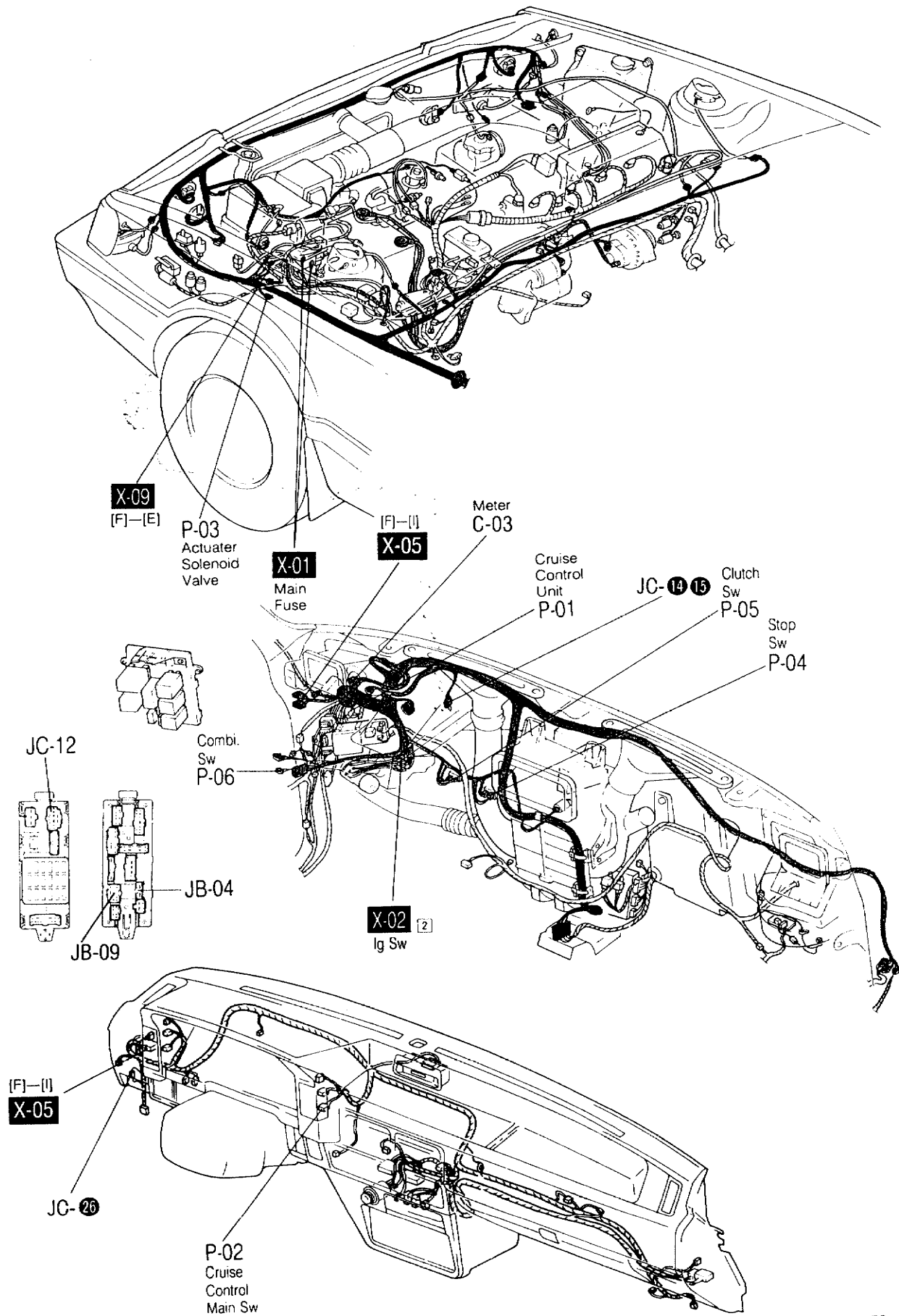
P-2

For Turbo without 4WD
CRUISE CONTROL SYSTEM

Note: ...Not Used



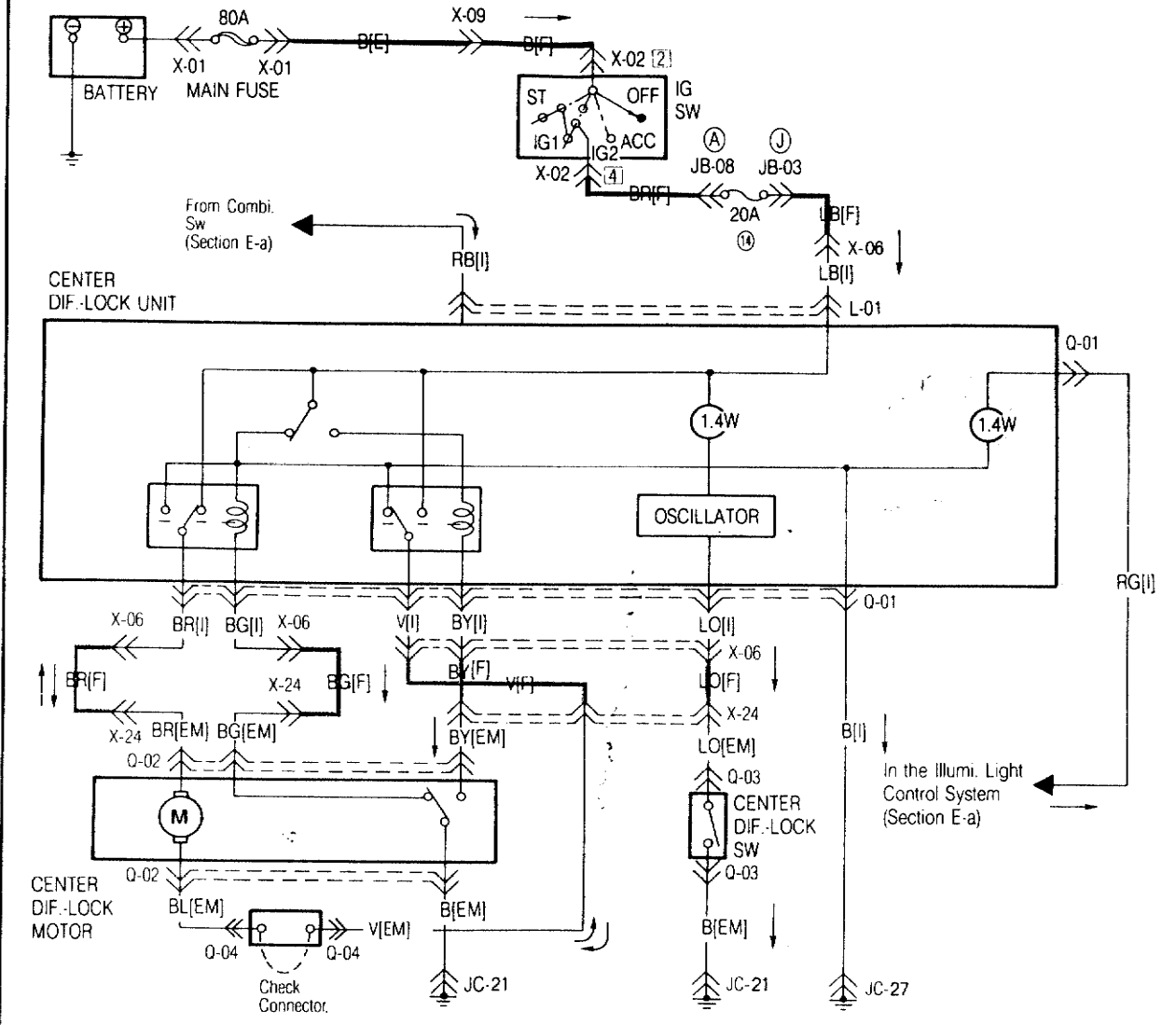
<p>P-01 Cruise Control Unit [F]</p>	<p>P-02 Cruise Control Main Switch [I] (E-05)</p>	<p>P-03 Actuator [F]</p>
<p>P-04 Stop Switch [F]</p>	<p>P-05 Clutch Switch [F]</p>	<p>P-06 Combination Switch [F]</p>



Q

■ CENTER DIFFERENTIAL SYSTEM

Note:
× ...Not Used



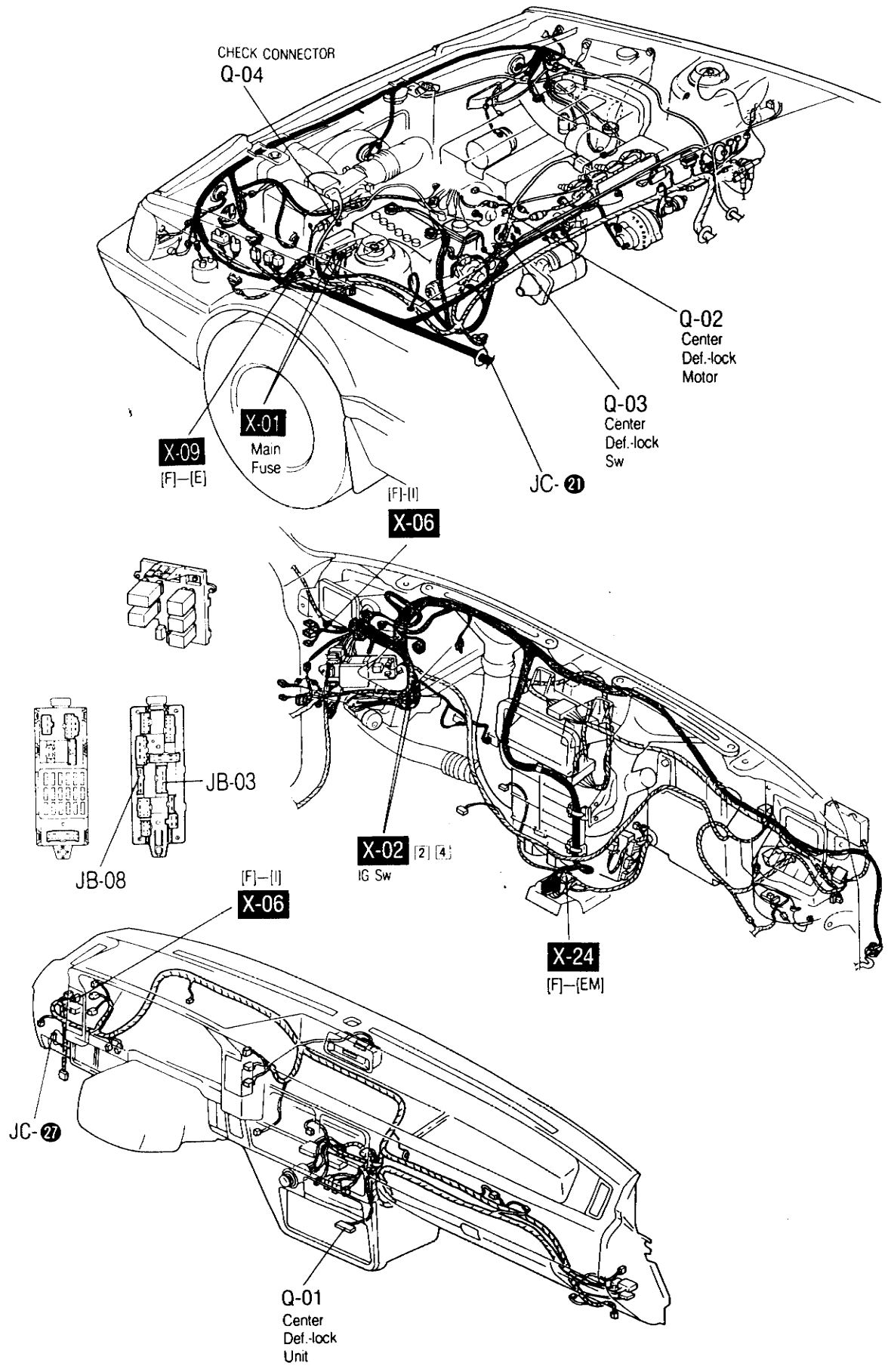
<p>Q-01 Center Dif.-lock Unit [I]</p>	<p>Q-02 Dif.-lock Motor [EM]</p>	<p>Q-03 Center Dif.-lock Sw [EM]</p>
<p>Q-04 Check Connector [EM]</p>		

COMMON CONNECTOR LIST

Note: * No Used

<p>X-01 MAIN FUSE [E]</p>	<p>X-02 Ignition Switch [F]</p>	<p>X-03 Connector Between Front [F] And Emission [EM] Harness < > 4AT () ... 4AT</p>	<p>X-04 Connector Between Front [F] And Emission [EM] Harness < > 4AT () ... Turbo without 4WD</p>	<p>X-05 Connector Between Front [F] And Instrument Panel [I] Harness () ... 4WD</p>	<p>X-06 Connector Between Front [F] And Instrument Panel [I] Harness (For 4WD)</p>
<p>X-07 Connector Between Front [F] And Rear [R] Harness () ... 4AT < > 4WD () ... Turbo without 4WD</p>	<p>X-08 Connector Between Front [F] And Engine [E] Harness () ... 4WD</p>	<p>X-09 Connector Between Front [F] And Engine [E] Harness</p>	<p>X-10 Connector Between Front [F] And Door [Dr1] Harness () ... 4WD < > 4AT < > 3 Door < > 4 Door</p>	<p>X-11 Connector Between Front [F] And Floor [Fl] Harness () ... Turbo</p>	<p>X-12 Connector Between Front [F] And Floor [Fl] Harness</p>
<p>X-13 Connector Between Front [F] And Interior Light [In] Harness</p>	<p>X-14 Connector Between Front [F] And No. 1 Door [Dr1] Harness</p>	<p>X-15 Connector Between Front [F] And No. 2 Door [Dr2] Harness</p>	<p>X-16 Connector Between Front [F] And No. 2 Door [Dr2] Harness</p>	<p>X-17 Connector Between Rear [R] And No. 2 Rear [R2] Harness (3 And 5 Door)</p>	<p>X-18 Connector Between Front [F] And No. 1 Door [Dr1] Harness (4 And 5 Door)</p>
<p>X-19 Connector Between Front [F] And No. 3 Door [Dr3] Harness (4 And 5 Door)</p>	<p>X-20 Connector Between Floor [Fl] And No. 4 Door [Dr4] Harness (4 And 5 Door)</p>	<p>X-21 Connector Between Emission [EM] And Engine [E] Harness</p>	<p>X-22 Connector Between Emission [EM] And Air Con. [AC] Harness</p>	<p>X-23 Connector Between Instrument Panel [I] And Air Con. [AC] Harness</p>	<p>X-24 Connector Between Front [F] And Emission [EM] Harness (For 4WD)</p>
<p>X-25 Joint Connector [I]</p>	<p>X-26 Joint Connector [F]</p>	<p>X-27 Connector Between Rear [R] And No. 2 Rear [R2] Harness</p>	<p>X-28 Connector Between Front [F] And No. 2 Door [Dr2] Harness</p>	<p>X-29 Connector Between Front [F] And No. 2 Door [Dr2] Harness</p>	<p>X-30 Connector Between Front [F] And No. 2 Door [Dr2] Harness</p>

WIRING DIAGRAM 50-Q

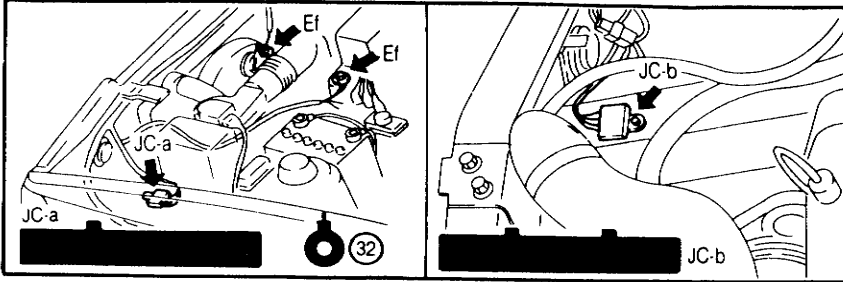


JC

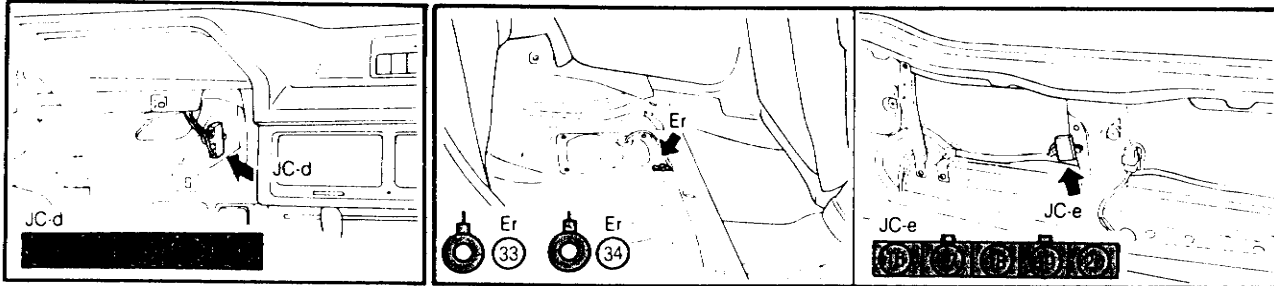
GROUND CIRCUIT

Note: Wiring order into the Joint connector may be changed
* ...Not Used

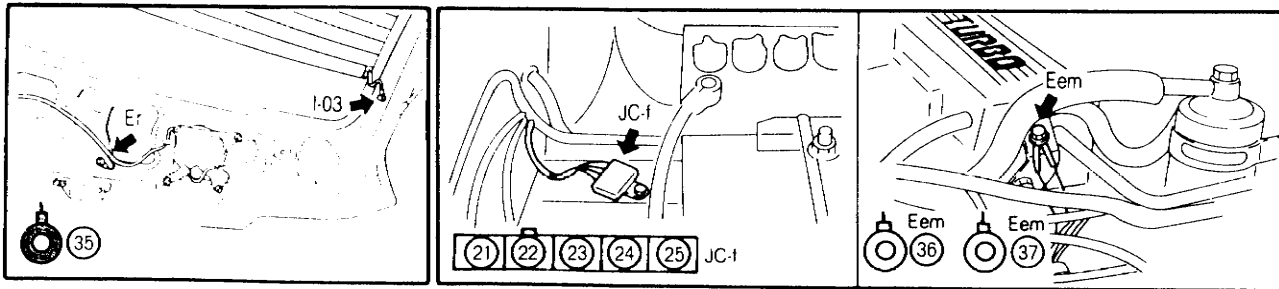
Front Harness



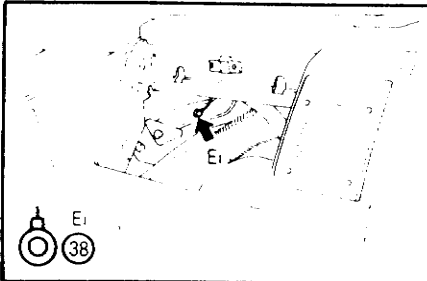
Rear Harness



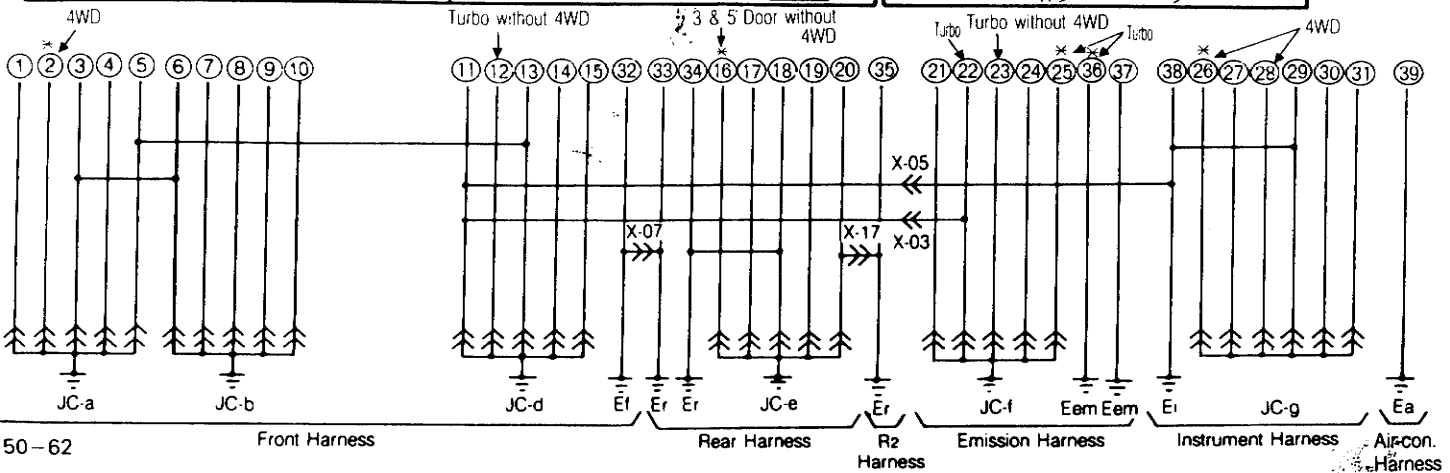
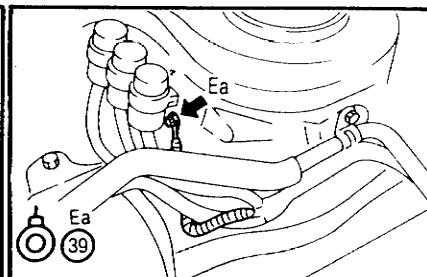
Emission Harness



Instrument Harness

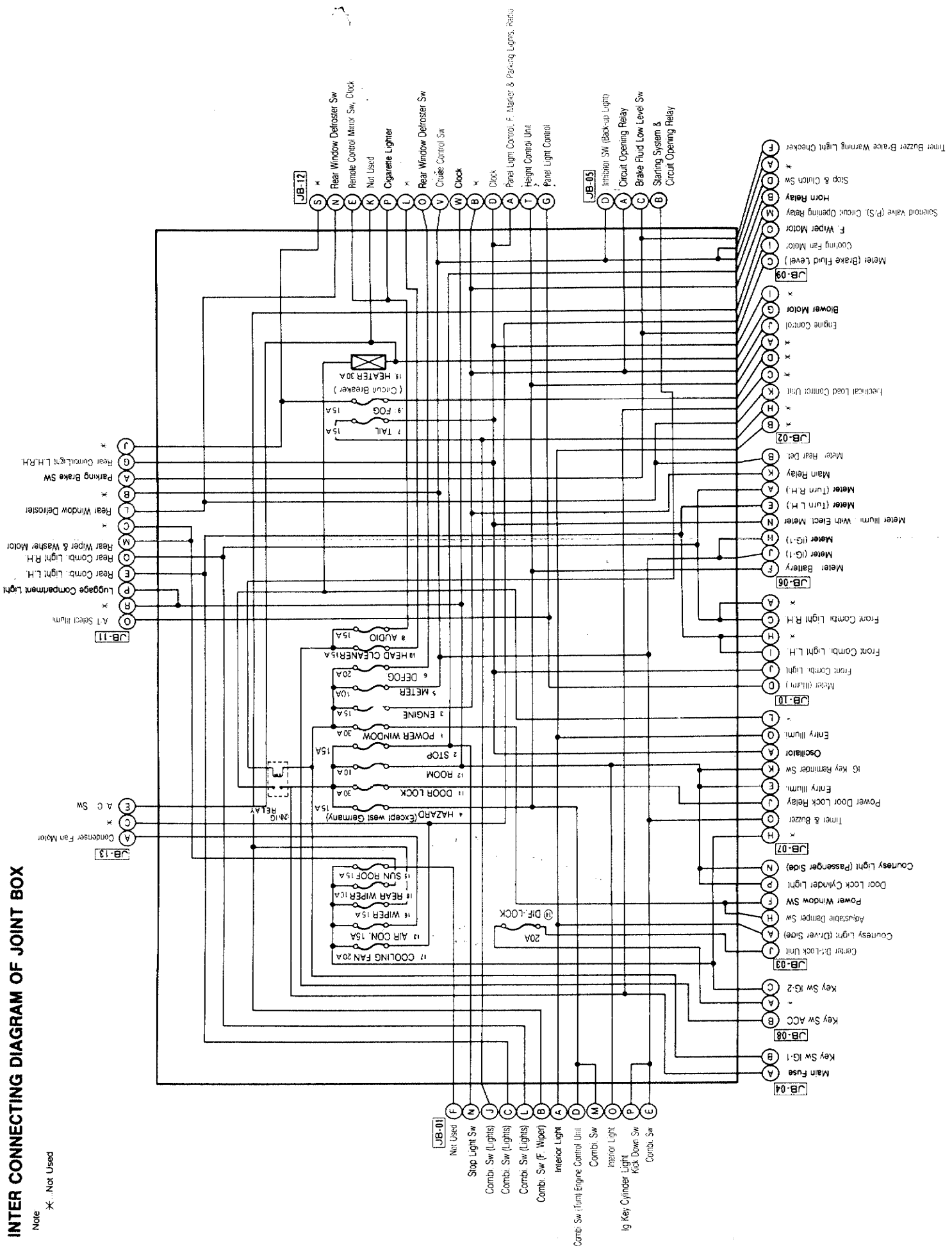


Air Con. Harness



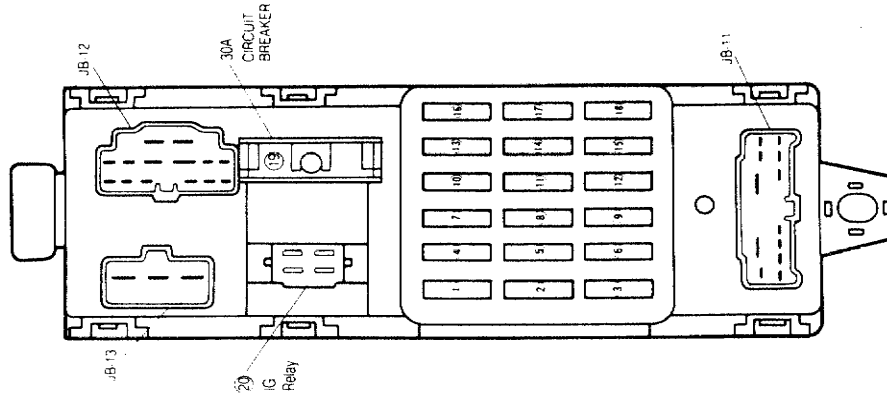
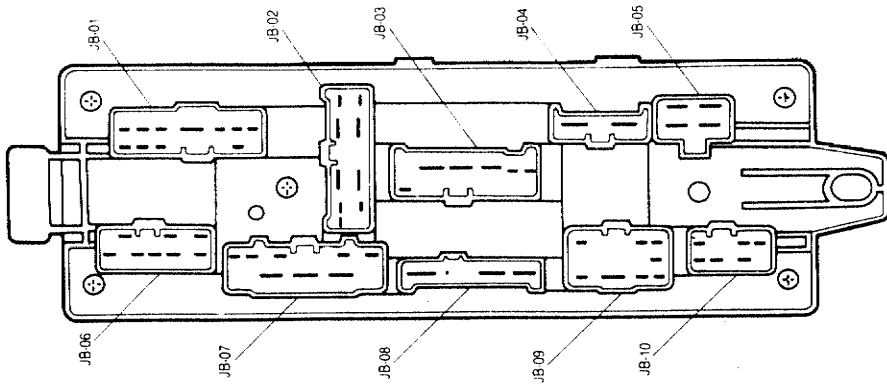
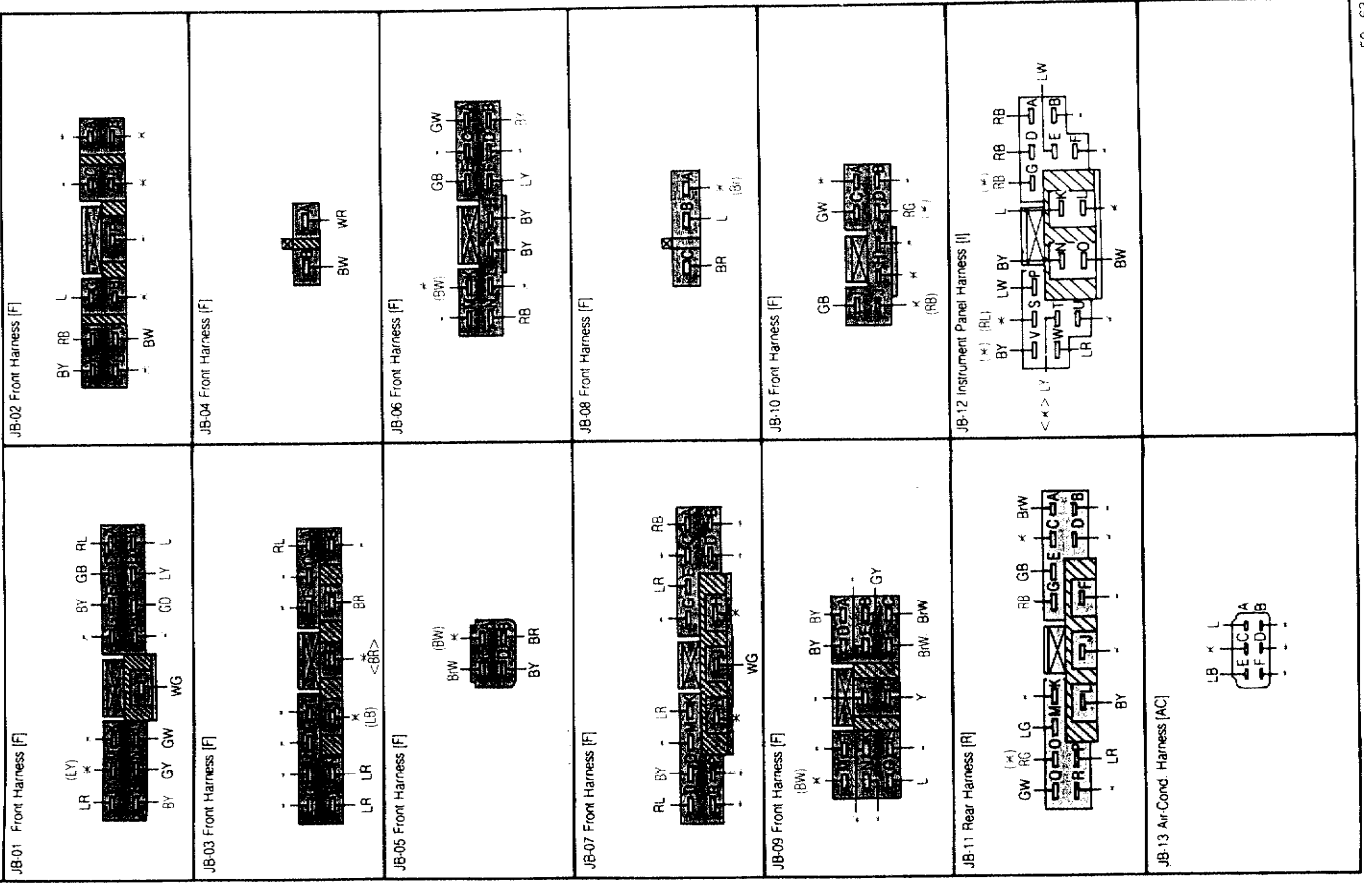
INTER CONNECTING DIAGRAM OF JOINT BOX

Note
* ... Not Used



JB

JOINT BOX

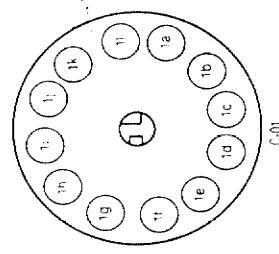
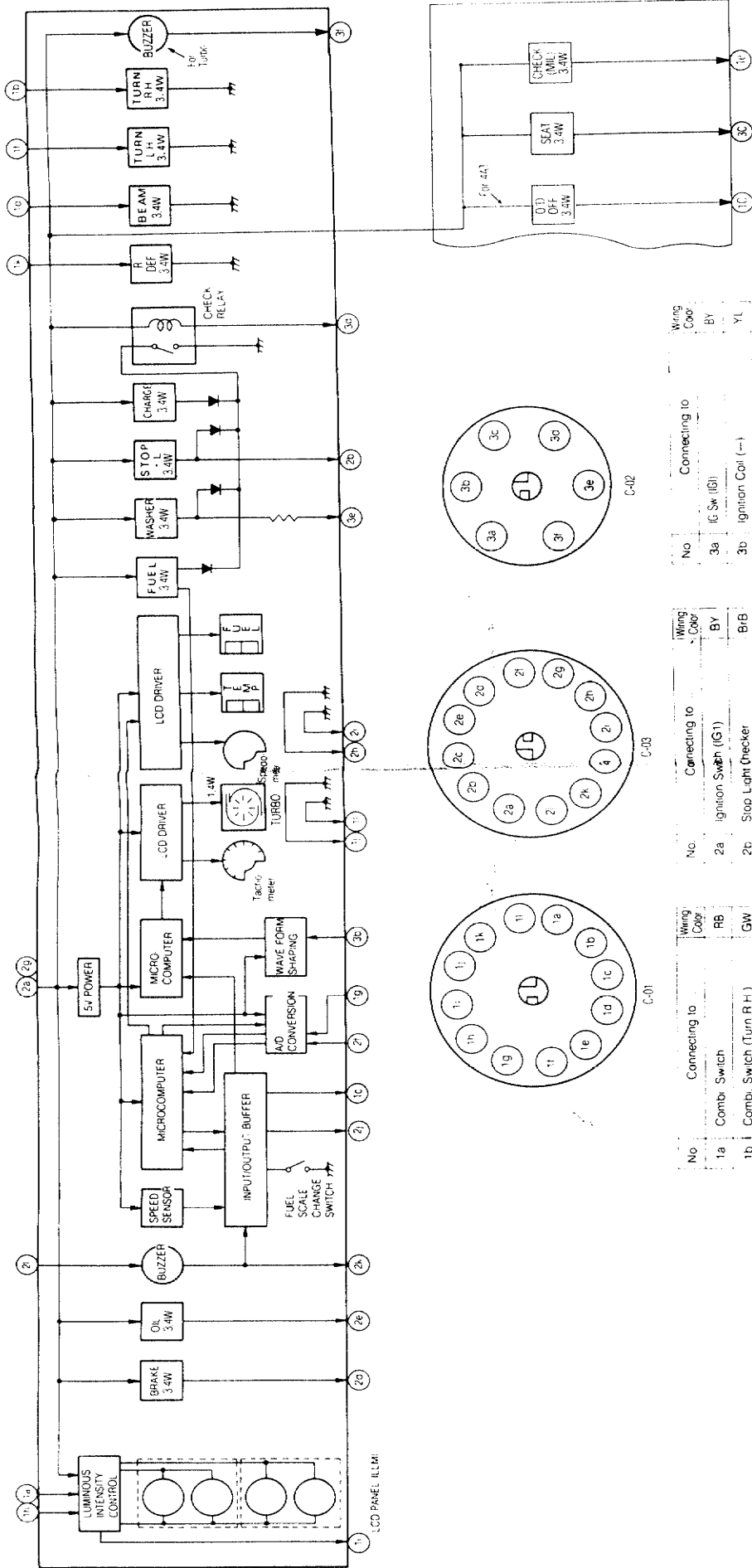


NO	CIRCUIT NAME	FUSE
10	Not Used	
11	DOOR LOCK	30A
12	ROOM	10A
13	AIR CONDITIONER	15A
14	CENTER DIF. LOCK	20A
15	SUNROOF	15A
16	WIPER	15A
17	COOLING FAN	20A
18	REAR WIPER	10A

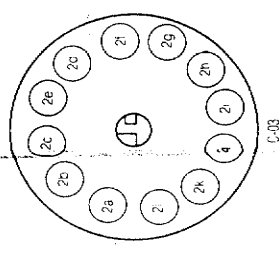
NO	CIRCUIT NAME	FUSE
1	POWER WINDOW	30A
2	STOP or HORN	15A
3	ENGINE	15A
4	HAZARD	15A
5	METER	10A
6	REAR WINDOW DEFROSTER	20A
7	TAIL	15A
8	AUDIO	15A

50 WIRING DIAGRAM LIQUID CRYSTAL DISPLAY (ELECTRONIC) METER

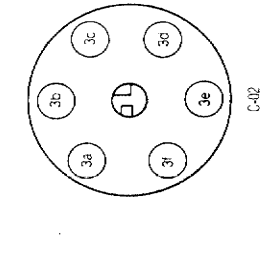
Note
* Not Used



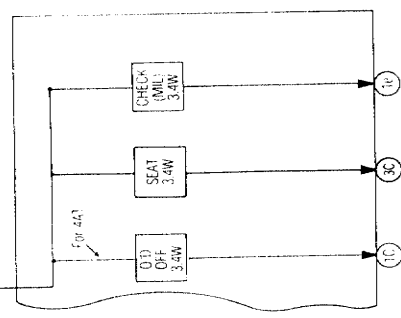
No.	Connecting to	Wiring Color
1a	Combi. Switch	RB
1b	Combi. Switch (Turn R.H.)	GW
1c	Engine Control Unit (for Turbo)	WL
1d	Combi. Switch (High Beam)	RW
1e	Engine Control Unit	LF
1f	Combi. Switch (Turn L.H.)	GB
1g	Water Temp. Sensor	YW
1h	Panel Light Control	FG
1i	Ground	B
1j	Ground	BG
1k	Rear Window Defroster Sw.	BY
1l	Ground	BG



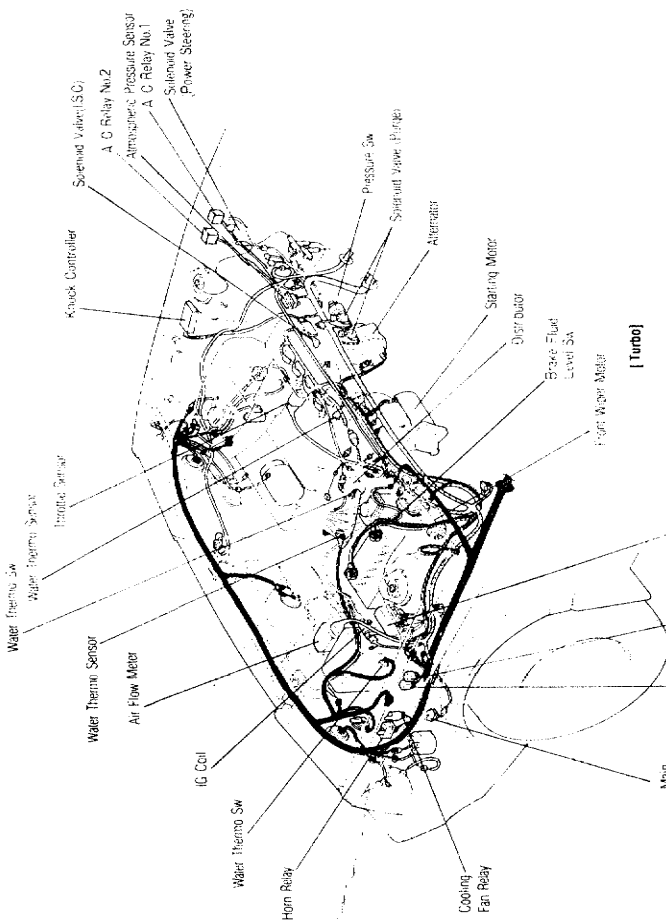
No.	Connecting to	Wiring Color
2a	Ignition Switch (IG1)	BY
2b	Stop Light Checker	BrB
2c	Brake Fluid Level Switch	WR
2d	Oil Pressure Switch	BrW
2e	Fuel Tank Drt	YR
2f	Ignition Switch (IG1)	Y
2g	Ground	BY
2h	Ground	B
2i	Ground	B
2j	Height Control Unit (For 4WD)	GR
2k	Oscillator	Br
2l	Battery (+ & B)	LY



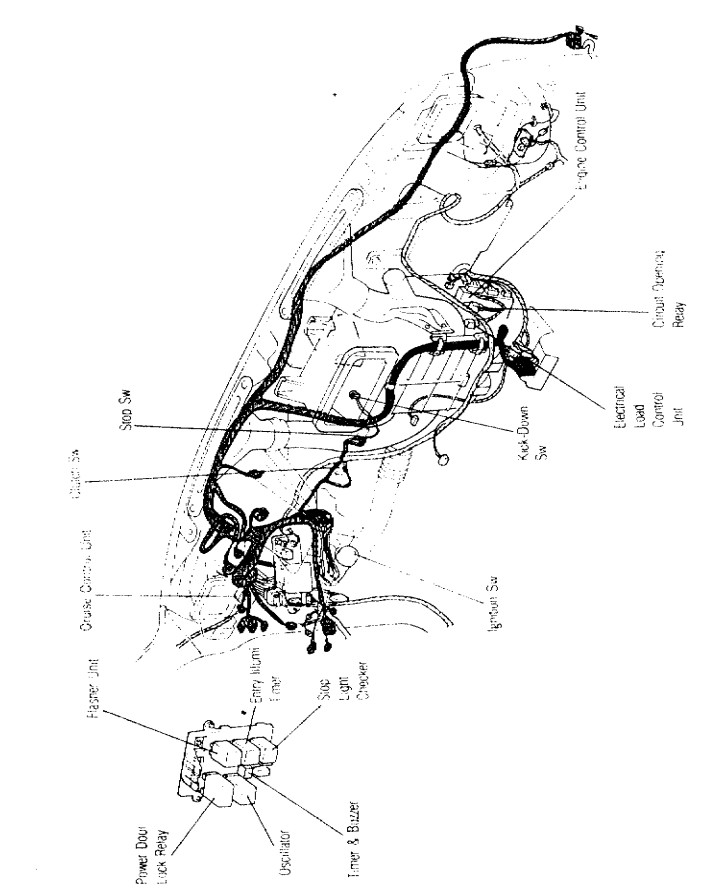
No.	Connecting to	Wiring Color
3a	IG Sw (IB)	BY
3b	Ignition Coil (-)	YL
3c	Tune & Buzzer (Seat Belt)	GO
3d	Alternator	WB
3e	Washer Level Sensor	G



No.	Connecting to	Wiring Color
4a	CHECK (MIL) 3.4W	LG
4b	SEAT 3.4W	LG
4c	O.D. OFF 3.4W	LG
4d	O.D. OFF 3.4W	LG



[Turbo]



[Non-Turbo]
Only Different Parts Location